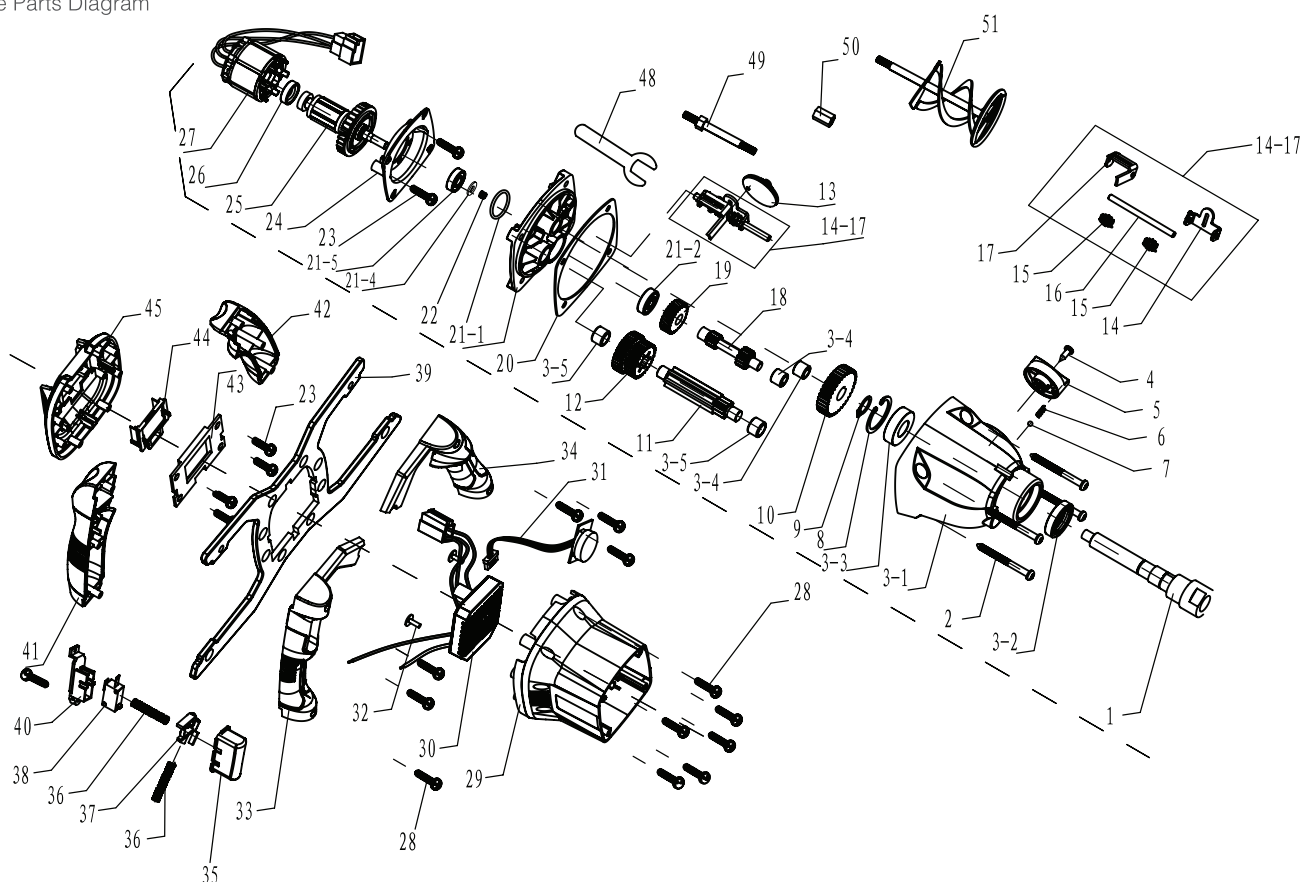


WALLPRO® CORDLESS 18V BRUSHLESS MIXER SKIN PMC-200

Spare Parts Diagram



WALLPRO® CORDLESS 18V BRUSHLESS MIXER SKIN SPARE PARTS

Code	Description	Code	Description
PMC2-1	Output Shaft	PMC2-23	Screw ST4x12-F
PMC2-2	Screw ST5x50	PMC2-24	Fan Shroud
PMC2-3	Gear Box	PMC2-25	Rotor
PMC2-4	Screw ST3x12	PMC2-26	Bearing Sleeve 607
PMC2-5	Shift Knob	PMC2-27	Stator
PMC2-6	Spring	PMC2-28	Screw ST4x16-F
PMC2-7	Steel Ball	PMC2-29	Housing
PMC2-8	Shaft Ring	PMC2-30	18V Brushless Controller
PMC2-9	shaft ring	PMC2-31	Speed Controller
PMC2-10	Big Gear	PMC2-32	Screw ST4x12
PMC2-11	Counter Drive Shaft	PMC2-33	Right Lower Handle
PMC2-12	Two Gang Gear	PMC2-34	Left Lower Handle
PMC2-13	Shift Dial	PMC2-35	Switch Button
PMC2-14	Shift Fork A	PMC2-36	Spring
PMC2-15	Shift Fork Spring	PMC2-37	Lock on Button
PMC2-16	Gear Guide	PMC2-38	Switch
PMC2-17	Shift Fork B	PMC2-39	Handle Steel Frame
PMC2-18	Main Driving Shaft	PMC2-40	Switch Base
PMC2-19	Diagonal Gear	PMC2-41	Right Upper Handle
PMC2-20	Seal Pad	PMC2-42	Left Upper Handle
PMC2-21	Middle Cover Assembly	PMC2-43	Contact Plate Holder Press Plate
PMC2-21-1	Middle Cover	PMC2-44	Battery Pack Plug-in
PMC2-21-2	O Ring	PMC2-45	Back Cover
PMC2-21-3	Rotor Spring	PMC2-48	Wrench
PMC2-21-4	Seal Pad	PMC2-49	Paddle
PMC2-21-5	Bearing 609RS	PMC2-50	Screw
PMC2-22	Rotor Spring	PMC2-51	Mixing Paddle

*Use only genuine Wallpro® parts on Wallpro® brand power tools. Using other brand parts on Wallpro® tools may affect the operation of the product and void warranty. Repairs undertaken by parties other than a registered repair centre may void the product warranty. Please contact Wallboard Tools Customer Service to locate your nearest repair centre.