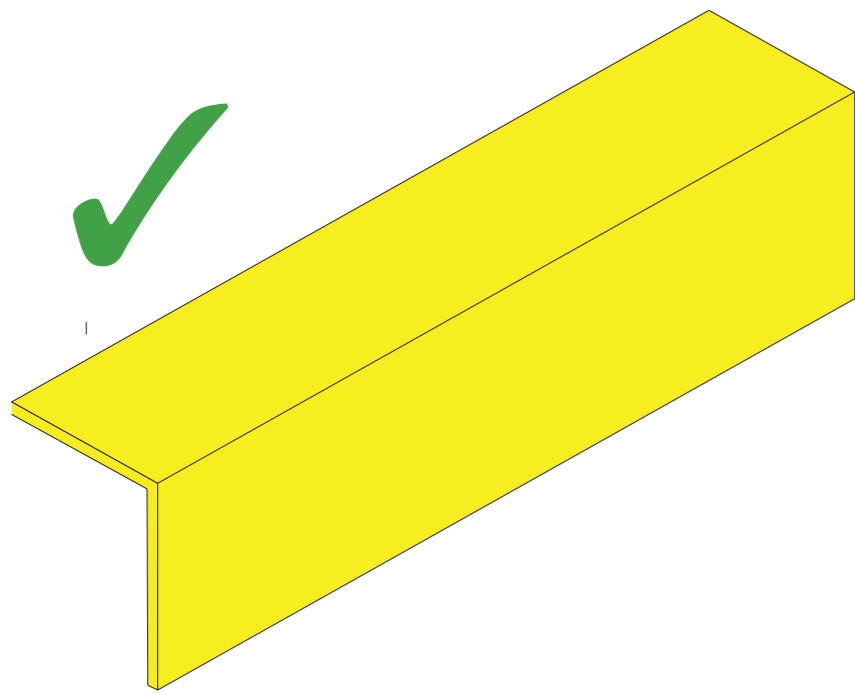
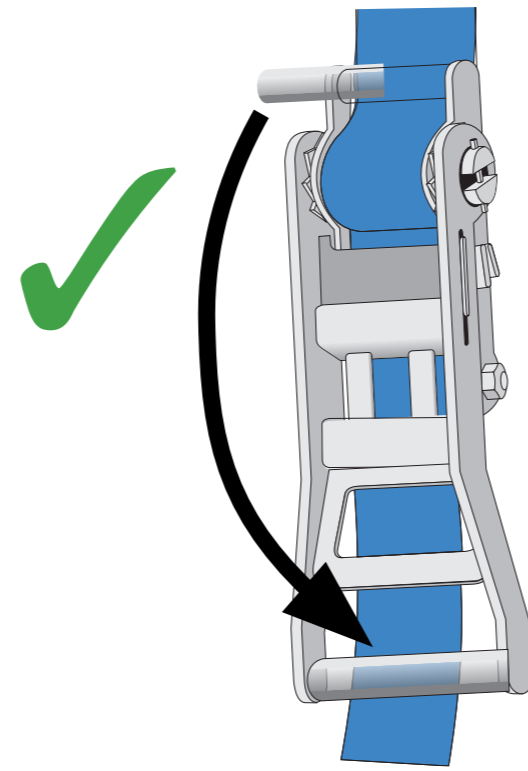


LOAD RESTRAINT EQUIPMENT



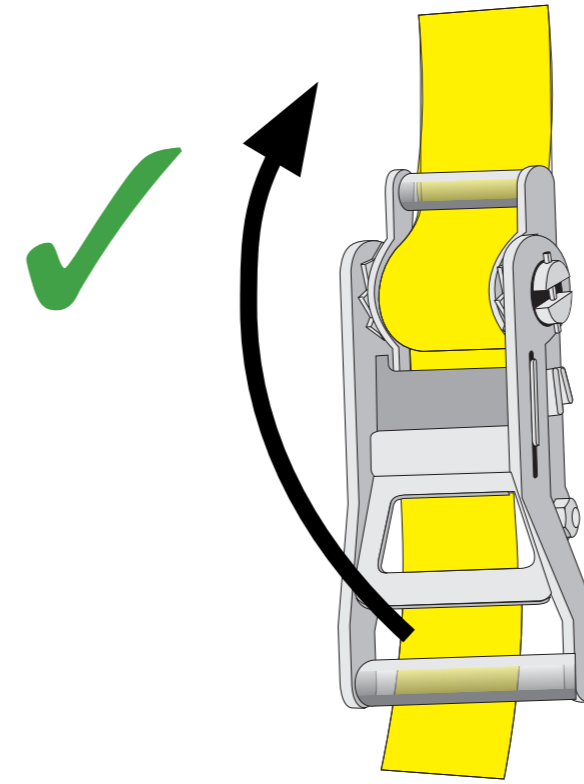
Corner protectors

shall be used under all webbing straps



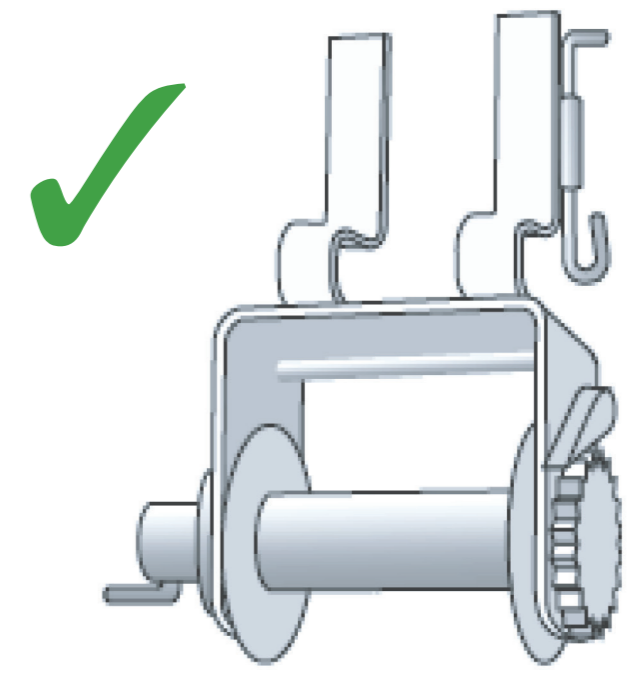
Pull down ratchet

600kg average pretension over load

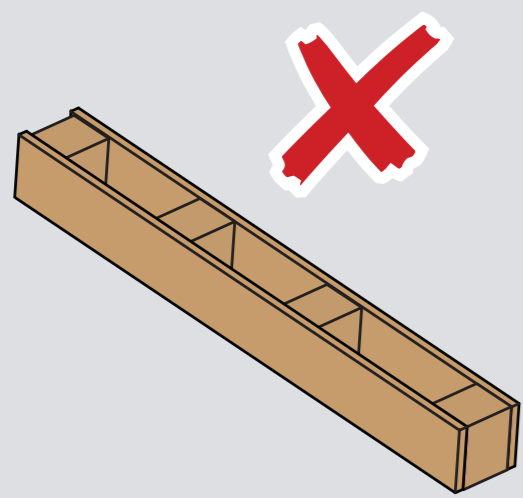


Push up ratchet and common Drum Winch

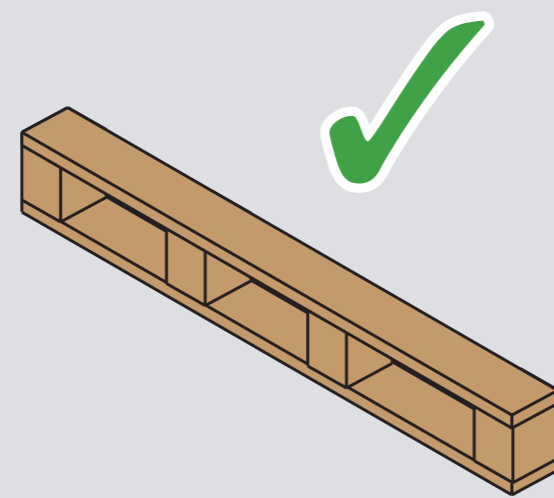
300kg average pretension over load



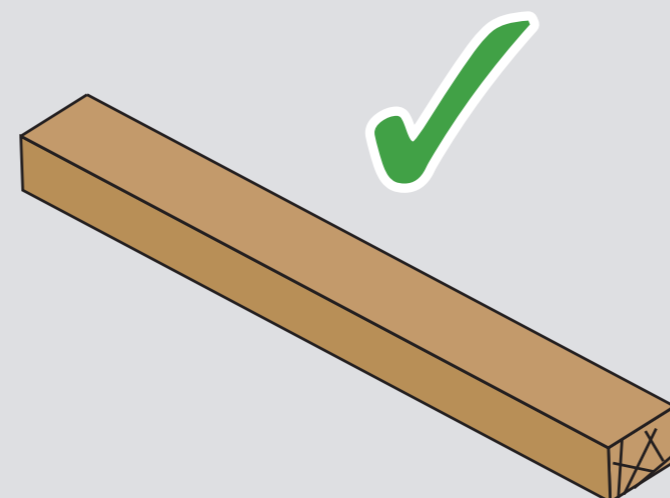
DUNNAGE TYPES



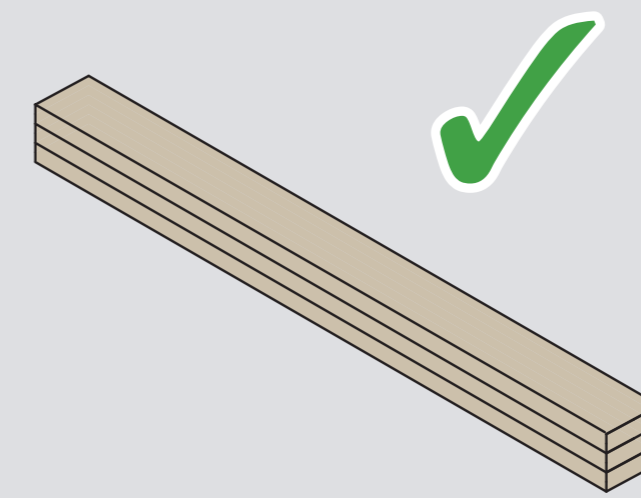
Do not use fabricated timber dunnage with boards vertical



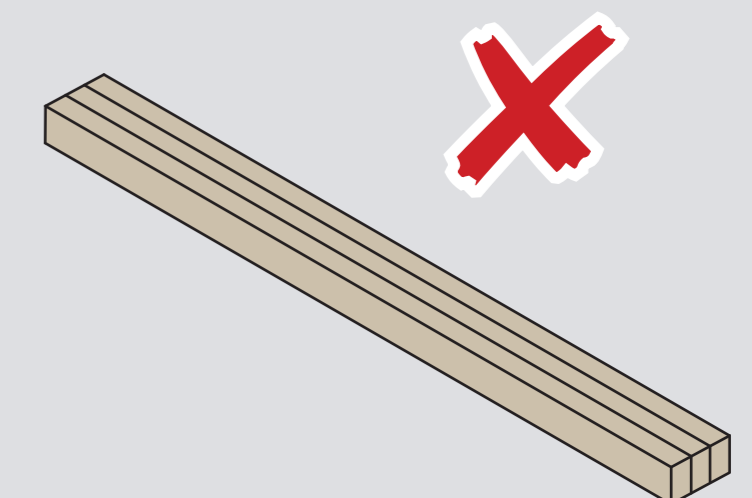
Fabricated timber dunnage must be used with boards horizontal tyne pockets open



Solid Timber dunnage with a rough sawn surface is acceptable



Glued plasterboard and plastic wrapped plasterboard dunnage is acceptable

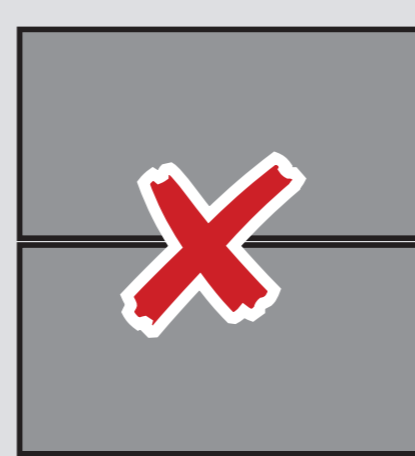


Do not use glued or plastic wrapped dunnage with boards vertical

Dunnage Configuration



Do not use Rectangular Dunnage on short edge



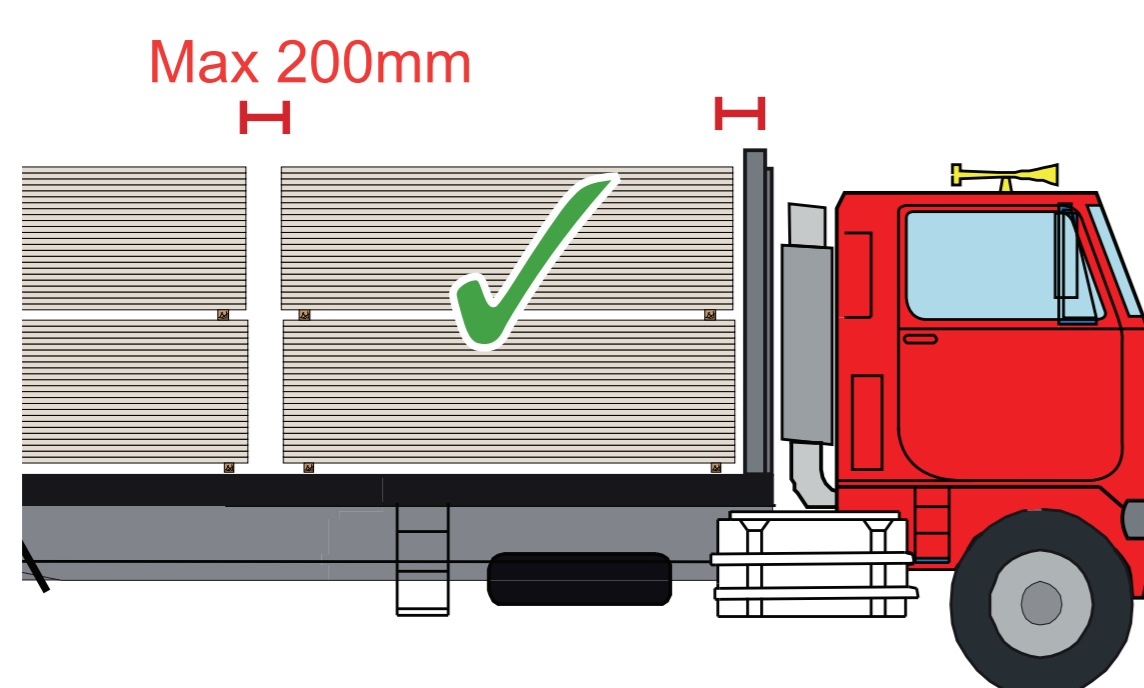
Do not stack dunnage

Plasterboard Dunnage Condition

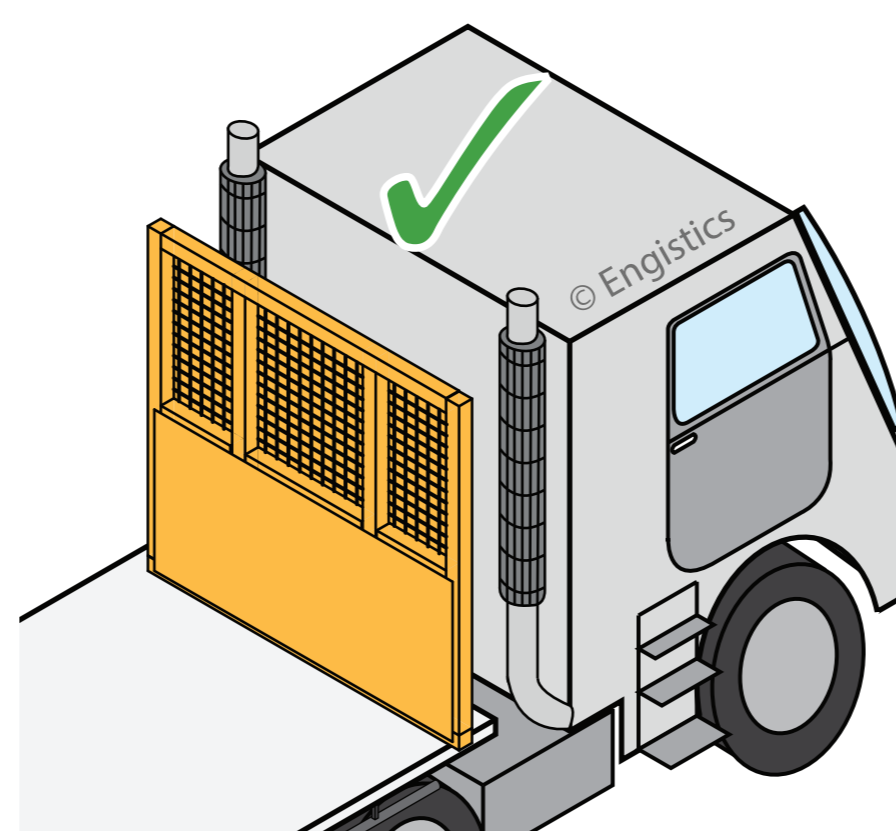


Plasterboard dunnage must be in good condition with no broken corners or cracks

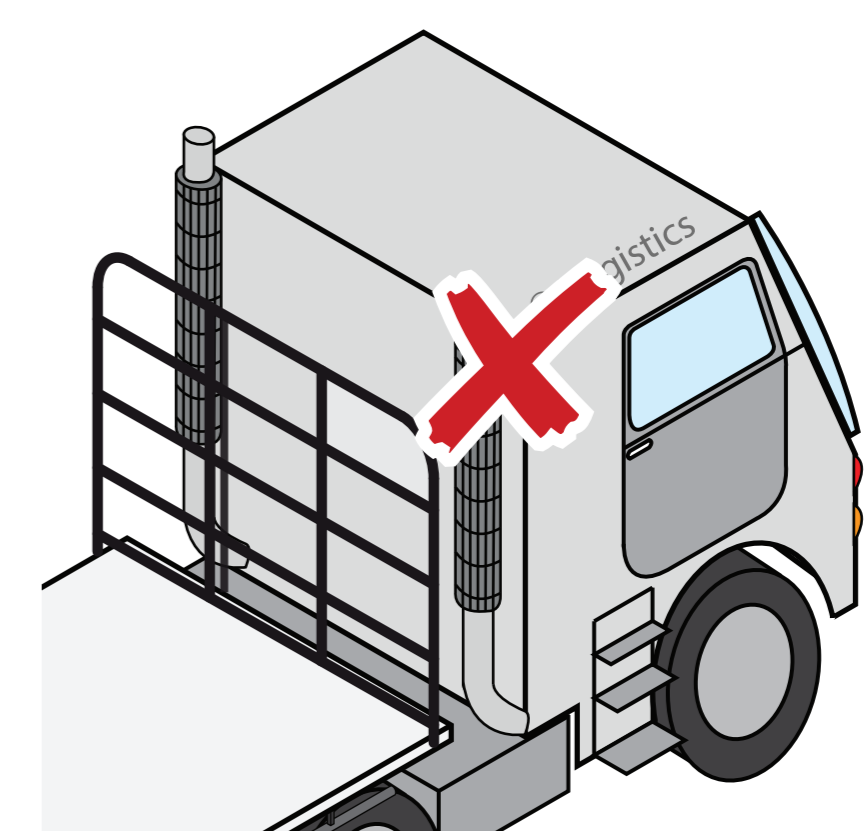
BLOCKING REQUIREMENTS - HEADBOARDS



Blocking to headboard preferred. Max 200mm gap between packs and blocking surface



Headboards must be suitably engineered to 30% of payload



Pipe gates are not suitable for blocking for these product types