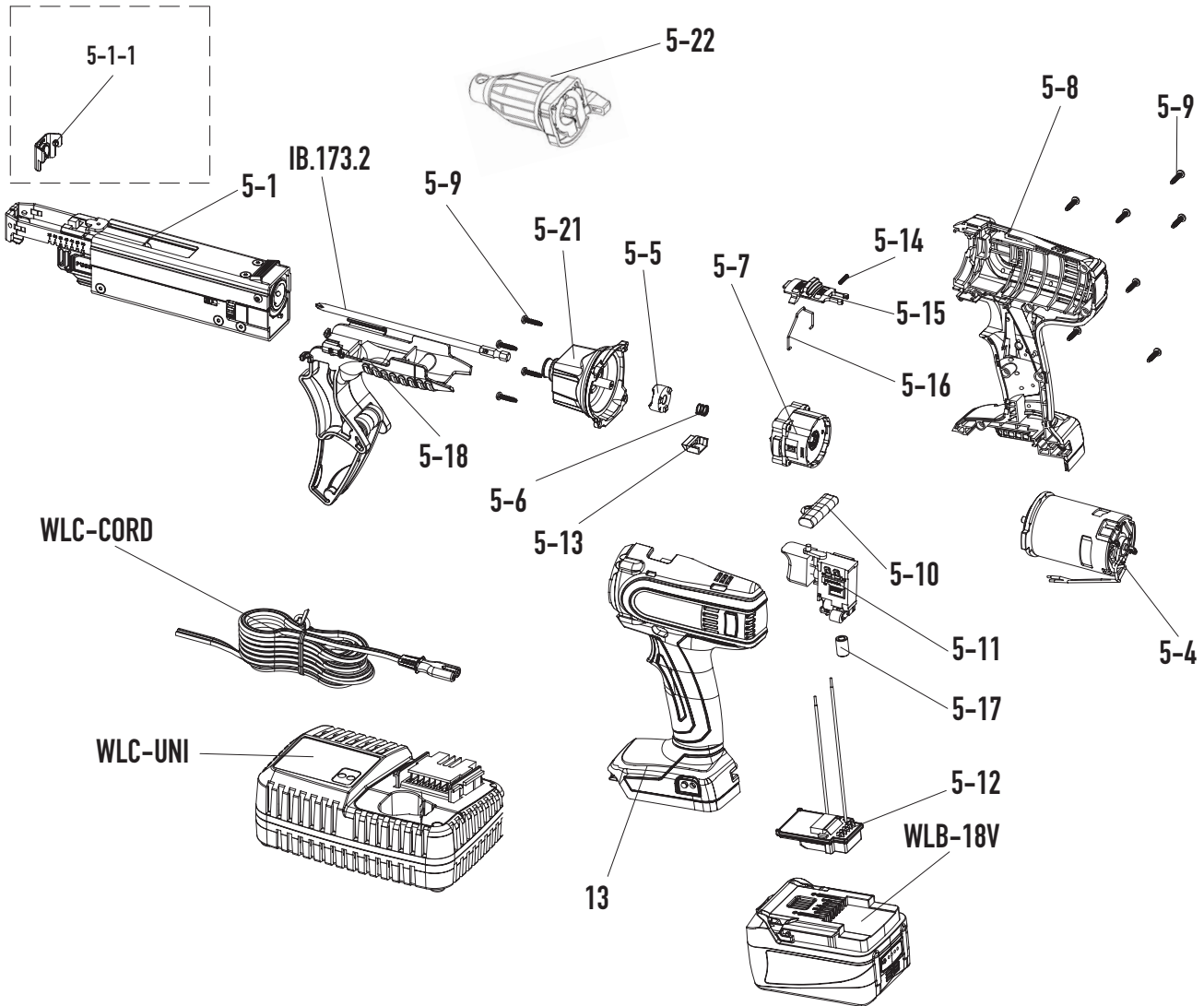


CSG-4005L Parts Diagram and List



No	Parts Name	Qty
CSG5-1	Conduction Assembly	1
CSG5-1-1	Anti Slip Pad	1
CSG5-18	Side Handle Assembly	1
CSG5-9	Housing Screws	12
CSG5-21	Front Cover Assembly	1
CSG5-5	Clutch "B"	1
CSG5-6	Spring	1
CSG5-13	Block	1
CSG5-14	Rod Spring	1
CSG5-15	High/Low Speed Rod	1
CSG5-16	Speed Change Spring	1
CSG5-7	Gear Box Assembly	1

CSG5-8	Complete Main Housing	1
CSG5-10	Forward/Reverse Rod	1
CSG5-11	Main Switch	1
CSG5-17	Ferrite Core (CE)	1
CSG5-12	Discharge Protector	1
CSG5-4	Motor Assembly	1
WLB-18V	Battery Pack 18V Li-ion	1
WLC-UNI	Battery Charger 10.8v/14.4v/18v Wallpro	1
WLC-CORD	Power Cord	1
CSG5-22	Screw Gun Attachment	1