

# Power Tools & Accessories



# HIGH VOLUME CAULKING

- Tough 10.8V motor
- Large 600ml barrel capacity
- 2 x 1.5a/h Li-ion batteries
- Fast 35 min charge
- Powerful 392KGF expel force
- Rapid plunger release
- Auto cut off
- Variable speed
- Suits cartridges and sausages



## WALLPRO CAULKING GUN

The Wallpro Caulking Gun is perfect for applying long continuous beads of adhesive and caulk packaged in either sausages or cartridges, allowing for the best finish in the quickest amount of time.

Large 600ml Barrel	Long Lasting Lithium-ion Batteries	392Kgf Expel Force	12 Month Warranty	Parts Diagram Available
Auto Cut Off	Variable Speed	Rapid Plunger Release	110 Watt	

Code	Barcode	Description	Size	Ctn	ea Exc
CG-600L	9315778998345	Caulking Gun	10.8V	1	\$602.85
WLB-10.8V	9315778998376	Battery Pack for CG-600L	10.8V	1	\$190.00
WLC-UNI	9315778998369	Universal Li-ion Battery Charger	10.8/14.4/18V	1	\$100.65
SV-NS	931577899830	Caulking Gun Nozzles 6pkt	Small	5	\$6.60
SV-NL	931577899823	Caulking Gun Nozzles 6pkt	Large	5	\$6.60

# POWER MIXING

## WALLPRO POWER MIXER

The Wallpro Power Mixer is a purpose built heavy duty electric mixer designed with power and comfort in mind.

- Powerful 1100 Watt motor
- Variable speed control
- Heavy duty metal gears
- Comfortable double sided rubber grip
- Includes mixing blade and spanner
- Light weight at 3.6kg
- Spare parts available from your Wallpro Tools distributor



Comfortable Rubber Grip	Heavy Duty Metal Gears	Powerful 1100 Watt Motor	Variable Speed
-------------------------	------------------------	--------------------------	----------------

**111** Parts Diagram Available



Code	Barcode	Size	Ctn	ea Exc
PM-1100	9315778997287	1100W	2	\$348.15



# PLASTERBOARD SANDING

## WALLPRO POWER SANDER

The Wallpro Power Sander is a heavy duty plasterboard sander designed with the professional in mind. It has great balance and comfortable grips and when operated in conjunction with a heavy duty dust extractor will deliver a virtually dust free sanding environment.



- Advanced soft start motor
- Variable Speed 650-1600RPM control
- Unique full movement swivel head - no inefficient screw adjustment
- Includes 4m long vacuum hose and Hook & Loop foam adaptor
- Universal connection to industrial dust extractors
- Standard 225mm diameter disc area - suits most Super Pads
- Comfortable cushioned grip
- Full range of spare parts available from your Wallpro distributor

- Variable Speed
- 225mm Sanding Disc Diameter
- Advanced Soft Start Motor
- Comfortable Rubber Grip
- 12 Month Warranty
- Full Movement Swivel Head
- Parts Diagram Available

Code	Barcode	Description	Size	Ctn	ea Exc
PS-1000	9315778997690	Power Sander 650-1600RPM	550W	1	\$695.00
PSV-225	9315778998451	Hook & Loop Foam Adaptor for PS-1000	225mm	5	\$28.80
PS-BAG	9315778998468	Power Sander Carry Bag for PS-1000 & PC-7800		1	\$51.65
PSH-1	9315778997706	Power Sander Handle for PS-1000		1	\$50.85



■ No screw adjustments



■ Hook & Loop foam adaptor



■ Cushioned grip



■ Soft start motor



## PORTER CABLE POWER SANDER

The original Porter Cable plasterboard power sander is designed for fast dustless sanding when used in conjunction with an industrial vacuum.

- Variable-speed dial settings from 1400 - 2000 RPM
- Brush-type skirt surrounds sanding pad, preventing gouging of wall joints and aiding in dust collection
- Motor located on opposite end of handle from sanding head, providing balance and control
- Articulating sanding head allows user to sand wide area without changing positions
- 225mm sanding disc area
- Tool weighs 3.6kg
- Sander made in Mexico



Variable Speed



Full Movement Swivel Head



225mm Sanding Disc Diameter

PAGE 114

Parts Diagram Available

ABC-1234  
Code

Barcode

PC-7800 394047800038  
VFP-225 9315778992770

Description

Plasterboard Sander Porter Cable  
Hook & Loop Foam Pad for PC-7800

Size

225mm



Ctn

1

5

ea Exc

\$715.00

\$32.55



## WALLBOARDS PREMIUM RANGE OF SUPER PADS & SANDING DISCS

See the range of premium quality abrasives designed exclusively for plasterboard power sanders.

PAGES  
**6-7**



# WALLPRO POWER VACUUM

Wallpro's Power Vacuum is an economical but robust heavy duty dust extractor designed for use with the Wallpro Power Sander.

DE-30L



- Powerful 1400 watt motor
- Long lasting stainless steel drum
- Large 30 litre capacity
- Includes reusable cloth bag
- Operates as a wet/dry all purpose vacuum
- Includes accessories and floor tools kit
- Automatically switches on and shuts off when connected to power sanders
- Full range of spare parts available from your Wallpro distributor



ABC-123

Code

DE-30L



Barcode

9315778997720



Size

1400W



ea Exc

\$448.00

**Wallpro**  
TRADE TOOLS



DE-30L-60



DE-36-423

## VACUUM ACCESSORIES

ABC-123

Code

DE-30L-60



Barcode

9315778999526

Description

Power Vac Fabric Dust Bag for DE-30L

ea Exc

\$42.95

DE-36-423

9315778994668

Dust Extractor Paper Bag for DE-36 & DE-30L

\$8.15



■ Sander power point and on/off switches



■ Floor accessories included



# STARMIX POWER VACUUM

The Starmix Vacuum is a high quality German made vacuum that has a hard wearing filter cartridge that not only retains up to 99.9% of dust but also has a long service life.

- Advanced filter technology
- Great 32L capacity
- Noise reduction features
- High performance 1200 watt motor
- Shock resistant plastic drum
- Made in Germany

 Auto On/ Off Rocker Switch	 Quiet 1200 Watt Motor	 Plastic Drum
 32 Litre Capacity	 Robust Wet & Dry Vacuum	 Parts Diagram Available

Code	Barcode	Size	ea Exc
DE-1032	401124085524	1200W	\$537.00



## VACUUM ACCESSORIES

DE-1032-40



DE-1032-38

**Made in Germany**

Code	Description	ea Exc
DE-1032-38	Pleated Filter	\$190.50
DE-1032-40	Pre-Filter Sac-Cloth	\$156.10
DE-1032-41	Paper Dust Bag	\$15.70



■ Sander power point and on/off switches



■ Durable plastic clips



# COMBOS

## POWER TOOLS COMBO #2

The trade quality sanding solution that includes the popular Wallpro Sander and Vacuum.



Reduce On-Site Dust



Power Sanding

ABC-123

Code

WPD-2



Description

Wallpro Power Tools Deal



ea Exc

\$1,194.65

Combo Includes:

- 1 x Wallpro Power Sander (PS-1000)
- 1 x Wallpro Power Vacuum (DE-30L)
- 1 x Wallboard Super Pad 5pkt
- 1 x Power Sander Carry Bag (PS-BAG)
- 1 x Paper Dust Bag (DE-36-423)



## POWER TOOLS COMBO #6

Wallboard's premium power sanding combo featuring the advanced Starmix Vacuum and the high performance Wallpro Power Sander.



Reduce On-Site Dust



Power Sanding

ABC-123

Code

WPD-6



Description

Power Tools Deal



ea Exc

\$1,283.65

Combo Includes:

- 1 x Wallpro Power Sander (PS-1000)
- 1 x Starmix Vacuum (DE-1032)
- 1 x Wallboard Super Pad 5pkt
- 1 x Power Sander Carry Bag (PS-BAG)





# REBATE TOOL

## REBATEMATE

### TOOL & ACCESSORIES

The RebateMate™ is a revolutionary power tool designed to cut a rebate along the edges of plasterboard and cement sheet in preparation for finishing. Using the RebateMate™ results in a strong, seamless joint between the plaster sheets in both ceiling and wall applications.

- Eliminates butt joints
- Designed for plasterboard & cement sheet
- Relatively dust free when combined with commercial vacuum
- Australian patent



■ Plasterboard



■ Cement Sheet



Eliminates Butt Joints



Reduce On-Site Dust



RM-D



RM-G



ABC 123

Code



Barcode



Description



Size



Ctn



ea Exc

WATCH ON



RM-T	9315778000451
RM-D	9315778000468
RM-G	9315778000475

RebateMate Tool
Cutting Disc
Adhesive

2L	4	\$450.00
		\$51.75
		\$55.00

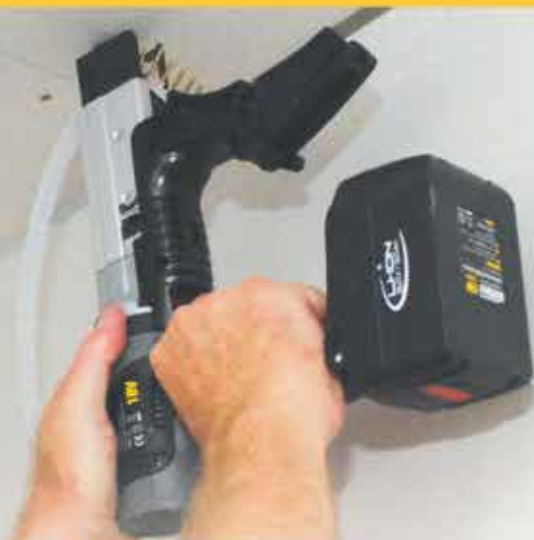


# QUICK FIXING

## WALLPRO 18V SCREWGUN & ACCESSORIES

The Wallpro 18 Volt Lithium-ion Collated Screwgun has a rapid 4000RPM motor designed to speed up the sheeting process with fast accurate collated screw fixing.

- Powerful 18V motor
- Rapid 4000 RPM speed
- 3.0 Ah Li-Ion batteries
- Quick push button adjustments
- Rapid jam recovery button
- Fast 1-hour charge with auto cut off
- 25-55mm / 6-8g fastener range
- Variable screw depth adjustment
- Operates in forward and reverse
- Battery charge indicator
- Removable belt clip
- Heavy duty carry case



■ Battery charge indicator ■ Screw depth adjustment



■ Rubber nose tip ■ Quick change to driver



■ Forward/reverse button ■ Attach belt clip



■ Remove conduction assembly ■ Use as screw driver



CSG-4002L



WLB-18V



WLC-UNI

- Powerful 18 Volt Motor
- Rapid 4000 RPM Speed
- Long Lasting Lithium-ion Batteries
- Quick Adjustment
- Screw Range 25-55mm 6-8 gauge
- Parts Diagram Available **116**

2x 3.0Ah Batteries

Code	Barcode	Description	Size	Ctn	ea Exc
CSG-4002L	9315778998321	Collated Screwgun 18V LI-ion	18V	4	\$645.00
WLB-18V	9315778998390	Battery Pack for CSG-4002L	18V	1	\$255.00
WLC-UNI	9315778998369	Universal Li-ion Battery Charger	10.8/14.4/18V	1	\$100.65





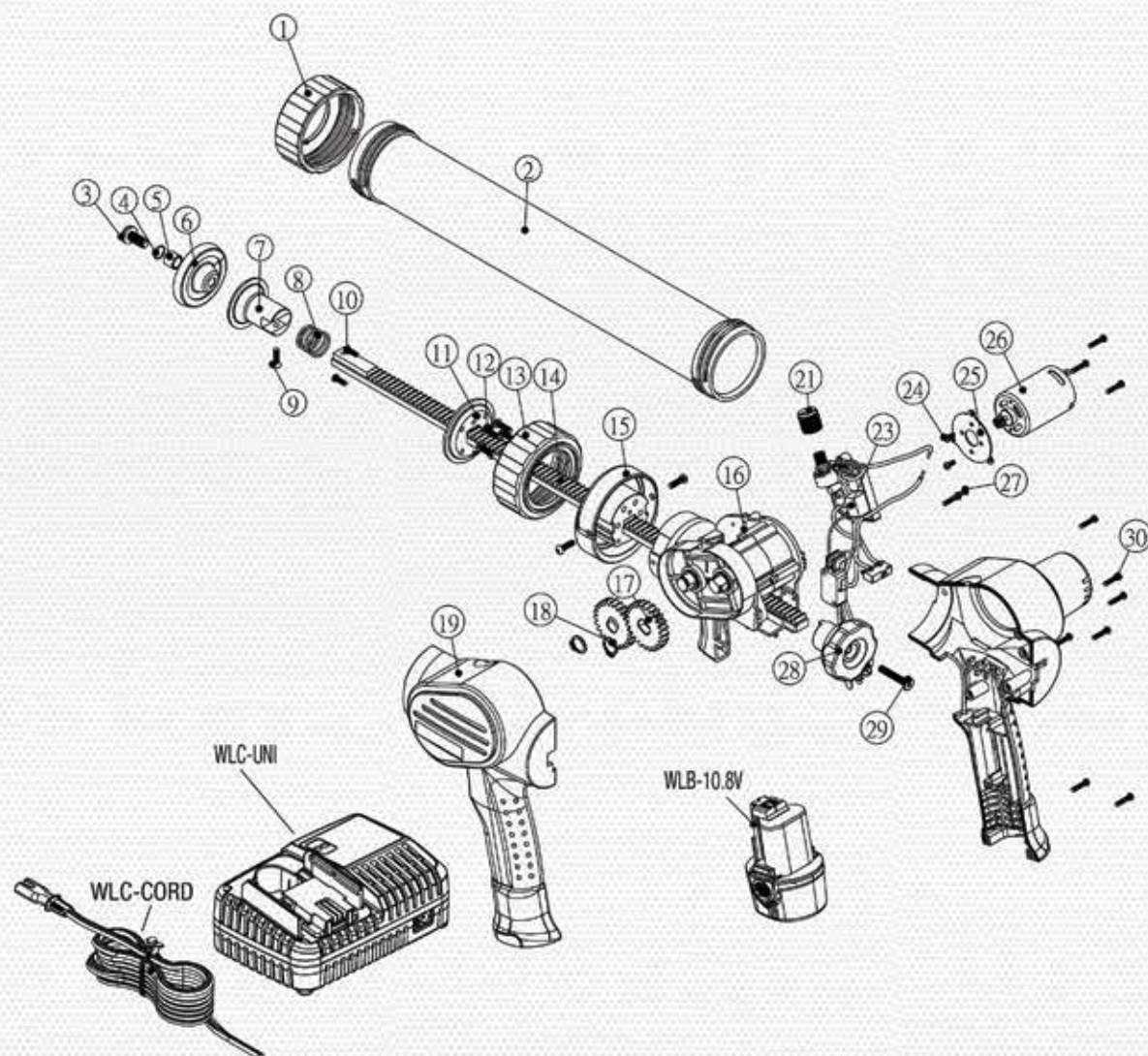


“ Economical power sanding at it's finest... ”



## WALLPRO CAULKING GUN CG-600L

Spare Parts Diagram



### WALLPRO CAULKING GUN SPARE PARTS

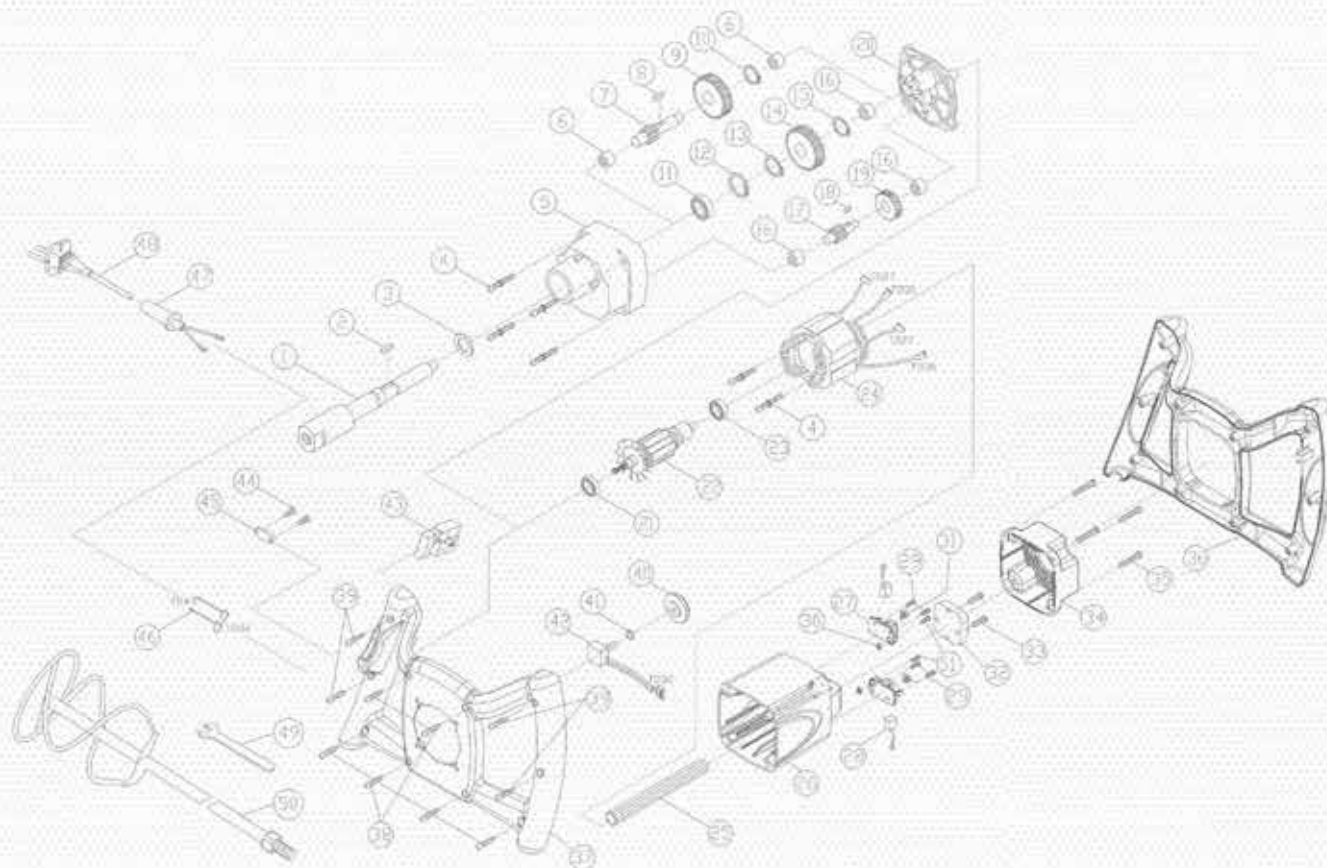
Code	Description	\$ ea Exc	Code	Description	\$ ea Exc
CG6-1	Front Cap	\$13.15	CG6-16	Gear Box Assembly	\$101.00
CG6-2	Compound Holder	\$50.80	CG6-17	Gear	\$4.80
CG6-3	Plunger Screw	\$0.60	CG6-18	C-Ring	\$0.60
CG6-4	C-Ring	\$0.60	CG6-19	Housing	\$22.70
CG6-5	Plunger Disk Brush	\$1.20	CG6-21	Speed Control Dial	\$0.71
CG6-6	Plastic Plunger Disk	\$3.20	CG6-23	PCB Assembly	\$95.60
CG6-7	Plunger Disk	\$14.95	CG6-24	Motor Screw	\$0.16
CG6-8	Spring	\$0.60	CG6-26	Motor Assembly	\$40.65
CG6-9	Plunger Adaptor Screw	\$0.16	CG6-27	Screw	\$0.16
CG6-10	Connection Ring Screw	\$0.11	CG6-28	Rack Rear Knob	\$3.00
CG6-11	Connector	\$9.55	CG6-29	Rack Rear Knob Screw	\$0.60
CG6-12	Fixed Cap Screw	\$0.16	CG6-30	Housing Screw	\$0.11
CG6-13	Connecting Cap	\$13.15	WLB-10.8V	Battery Li-Ion 10.8V	\$190.00
CG6-14	Rack	\$67.55	WLC-UNI	Battery Charger Li-Ion 10.8v/14.4v/18v Wallpro	\$100.65
CG6-15	Fixed Cap	\$14.95	WLC-CORD	Power Cord	\$11.35

\*Use only genuine Wallpro parts on Wallpro brand power tools. Using other brand parts on Wallpro tools may affect the operation of the product and void warranty. Repairs undertaken by parties other than a registered repair centre may void the product warranty. Please contact Wallboard Tools Customer Service to locate your nearest repair centre.



# WALLPRO POWER MIXER PM-1100

Spare Parts Diagram



## WALLPRO POWER MIXER SPARE PARTS

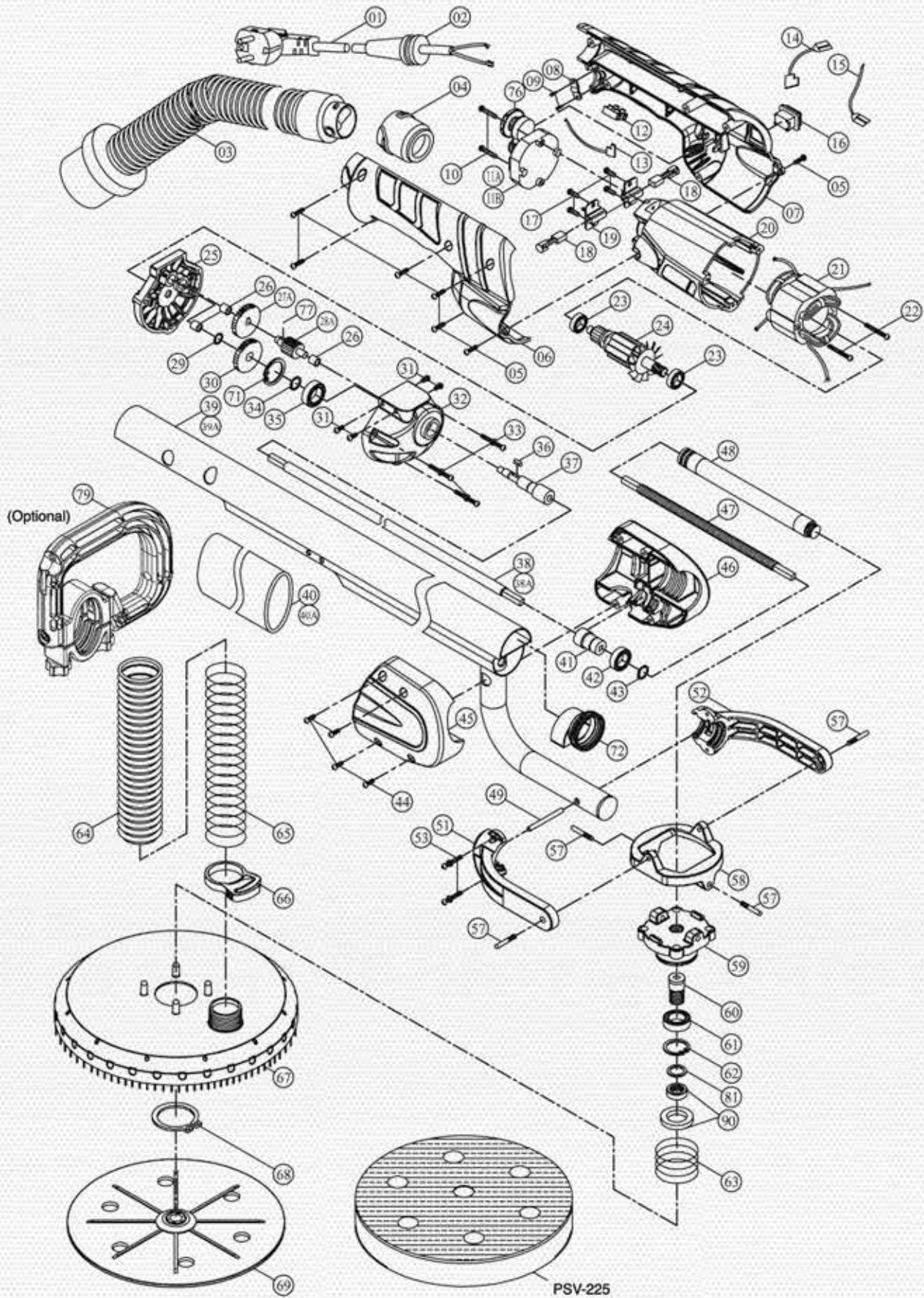
Code	Description	\$ ea Exc	Code	Description	\$ ea Exc
PM-1	Spindle M14xP2.0	\$21.03	PM-26	Motor housing	\$21.50
PM-2	Woodruff key 5x5x12	\$0.49	PM-27	Brush holder	\$1.80
PM-3	Seal 22x32x7	\$13.25	PM-28	Carbon brush	\$3.10
PM-4	Screw with washer M5x60	\$0.22	PM-29	Screw M4x12	\$0.11
PM-5	Gear housing	\$21.50	PM-30	Hex nut M4x8	\$0.11
PM-6	Needle bearing	\$3.00	PM-31	Spring	\$0.49
PM-7	Gear pinion	\$12.45	PM-32	Sensor 230V	\$77.45
PM-8	Woodruff key 5x5x10	\$0.38	PM-33	Screw M4x25	\$0.11
PM-9	Countershaft 30T	\$12.05	PM-34	Motor cover	\$8.25
PM-10	Snap ring S-12	\$0.22	PM-35	Screw M5x20	\$0.11
PM-11	Bearing	\$8.60	PM-36	Handle body top	\$23.70
PM-12	Snap ring R-35	\$0.38	PM-37	Handle body bottom	\$21.50
PM-13	Snap ring S-17	\$0.22	PM-38	Screw M4x20	\$0.11
PM-14	Spindle gear 34T	\$17.95	PM-39	Screw M4x25	\$0.11
PM-15	Snap ring S-15	\$0.22	PM-40	Speed adjusting wheel	\$0.71
PM-16	Needle bearing	\$3.00	PM-41	Hex nut 1/4"x34	\$0.11
PM-17	Gear pinion	\$12.15	PM-42	Electronic speed adjuster	\$0.71
PM-18	Woodruff key 4x4x8	\$1.10	PM-43	Switch 230V	\$11.35
PM-19	Countershaft 37T	\$10.05	PM-44	Screw M4x14	\$0.11
PM-20	Gearing cover	\$16.05	PM-45	Cord clip	\$0.38
PM-21	Bearing	\$8.60	PM-46	Wire lead	\$1.40
PM-22	Armature 230V	\$100.40	PM-47	Cord armour	\$0.71
PM-23	Bearing 608 2RS	\$3.60	PM-48	Power supply cord	\$13.25
PM-24	Stator 230V	\$56.20	PM-49	Wrench M4x10	\$4.90
PM-25	Wire sheath M8	\$1.00	PM-51	Screw M4x10	\$0.11

\*Use only genuine Wallpro parts on Wallpro brand power tools. Using other brand parts on Wallpro tools may affect the operation of the product and void warranty. Repairs undertaken by parties other than a registered repair centre may void the product warranty. Please contact Wallboard Tools Customer Service to locate your nearest repair centre.



WALLPRO POWER SANDER PS-1000

Spare Parts Diagram





**WALLPRO POWER SANDER SPARE PARTS**

Code	Description	\$ ea Exc	Code	Description	\$ ea Exc
PS-3	Vacuum extension hose with connector	\$74.70	PS-34	Internal circlip S-10	\$0.49
PS-4	Hose connector female	\$4.50	PS-35	Ball bearing	\$22.10
PS-5	Screw M4x16	\$0.11	PS-36	Woodruff key 3x10	\$2.00
PS-6	Handle cover right	\$8.15	PS-37	Spindle	\$28.70
PS-7	Handle cover left	\$8.15	PS-38A	Drive shaft 704mm	\$74.50
PS-8	Cable clip	\$0.22	PS-41	Shaft connector socket	\$17.95
PS-9	Screw M4x14	\$0.11	PS-42	Ball bearing for shaft	\$18.20
PS-10	Screw M4x25	\$0.22	PS-43	Internal circlip S-12	\$0.60
PS-11	Speed control unit	\$163.40	PS-44	Screw M4x20	\$0.11
PS-12	Wire connector	\$1.70	PS-45	Drive cover right	\$4.50
PS-13	Wire leader	\$1.70	PS-46	Drive cover left	\$4.50
PS-14	Wire leader (red wire)	\$1.95	PS-47	Drive cable inner	\$32.25
PS-15	Wire leader (black wire)	\$1.40	PS-48	Drive shaft cover	\$35.25
PS-16	Motor switch (JEC)	\$3.95	PS-49	Holding pin 5x30	\$8.15
PS-16A	Motor switch wallpro (TRANSMIT)	\$3.95	PS-51	Fork right	\$35.85
PS-17	Screw M4x10	\$0.11	PS-52	Fork left	\$35.85
PS-18	Carbon brush 2pkt	\$9.05	PS-53	Screw M4x8	\$0.33
PS-19	Carbon brush holder (1 Hole) 1pc	\$6.00	PS-57	Screw M5	\$0.38
PS-19A	Carbon brush holder (2 holes) 1pc	\$6.00	PS-58	Pivot frame	\$26.90
PS-20	Motor housing	\$21.50	PS-59	Pivot connecting bracket	\$56.10
PS-20A	Motor housing (2 holes)	\$21.50	PS-60	Connecting spindle	\$17.85
PS-21	Stator	\$62.75	PS-61	Ball bearing for head	\$24.40
PS-22	Stator screw M4x50	\$0.38	PS-62	External circlip R-32	\$1.30
PS-23	Ball bearing	\$13.15	PS-63	Spring	\$2.60
PS-24	Armature	\$143.45	PS-64	Vacuum hose	\$15.75
PS-25	Gear plate	\$30.10	PS-65	Spring	\$6.55
PS-26	Bushing	\$1.25	PS-66	Plastic clip	\$2.45
PS-27	Intermediate gear	\$16.35	PS-67	Sanding plate cover	\$25.10
PS-28	Intermediate gear pinion	\$22.95	PS-68	Internal circlip S-40	\$1.80
PS-29	Bushing	\$1.30	PS-69	Sanding plate base	\$35.85
PS-30	Output gear	\$17.95	PS-90	Shaft race and seal	\$7.10
PS-31	Screw M5x10	\$0.71	PS-SMK	Switch Modification Kit for PS-1000	\$10.15
PS-32	Gear case	\$44.80	PSV-225	Power Sander double sided Hook & Loop foam pad	\$28.80
PS-33	Screw with washer M4x30	\$0.38			



■ Full movement swivel head



■ 225mm disc diameter



■ Comfortable cushioned grip

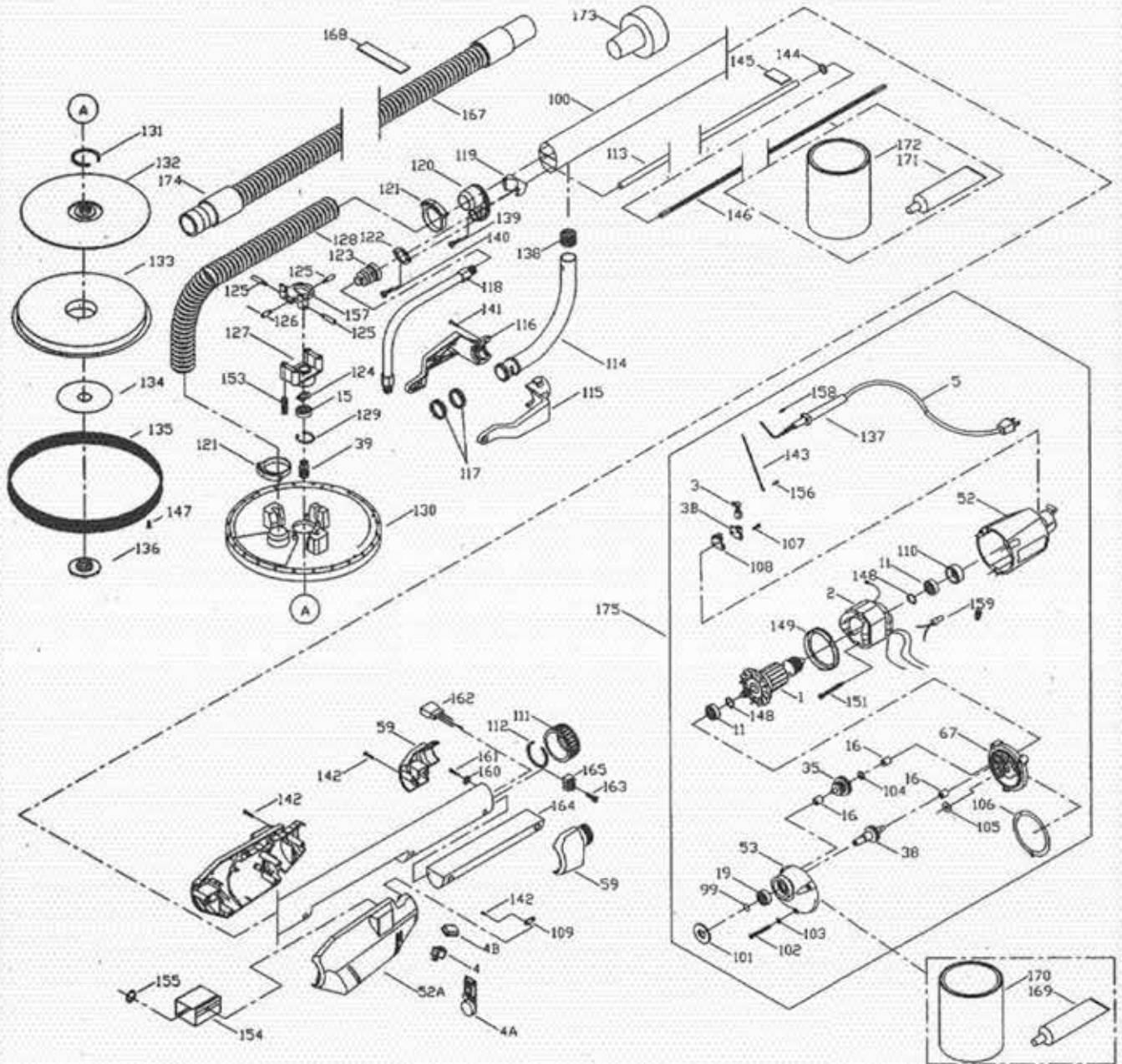


■ Advanced Soft Start Motor



PORTER CABLE SANDER PC-7800

Spare Parts Diagram



\*Use only genuine Porter Cable parts on Porter Cable brand sander. Using other brand parts on a Porter Cable sander tools may affect the operation of the product and void warranty. Repairs undertaken by parties other than a registered repair centre may void the product warranty. Please contact Wallboard Tools Customer Service to locate your nearest repair centre.



## PORTER CABLE SANDER SPARE PARTS

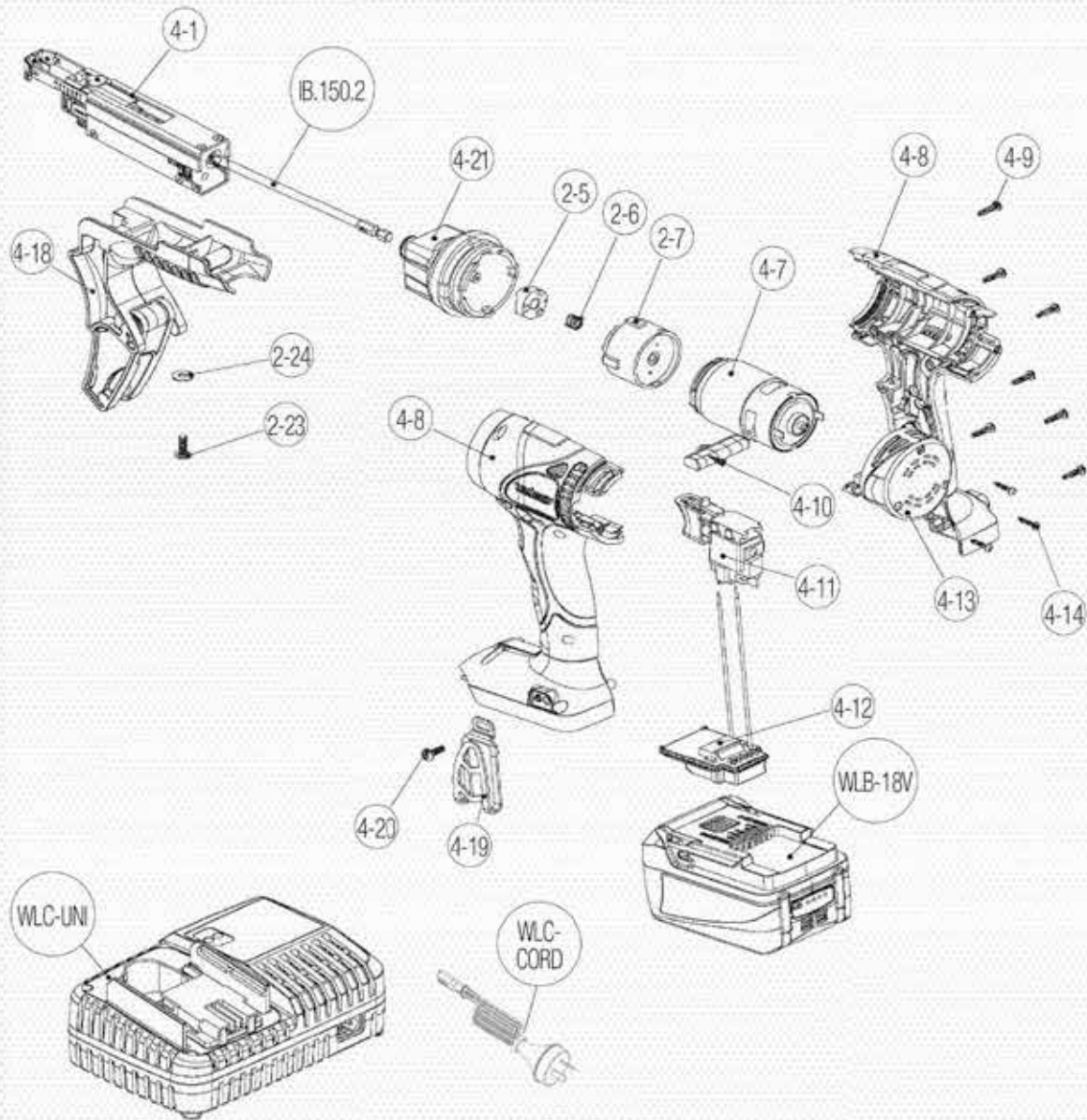
Code	Description	\$ ea Exc	Code	Description	\$ ea Exc
PC-1	Armature 230V	\$209.15	PC-122	Clamp plate	\$7.70
PC-2	Field 230V	\$152.85	PC-123	Bellows	\$31.50
PC-3	Brush 2pkt	\$40.65	PC-124	Retaining ring	\$12.95
PC-3B	Brush holder	\$18.85	PC-125	Guide pin (long)	\$5.20
PC-4	On/Off switch 230V	\$51.16	PC-126	Guide pin (short)	\$9.20
PC-4A	Variable speed control 230V	\$108.95	PC-127	Support housing	\$74.35
PC-4B	On/Off switch dust cover	\$4.95	PC-128	Hose	\$35.30
PC-5	Power cord 230V	\$90.10	PC-129	Snap-ring	\$3.65
PC-11	Bearing	\$11.45	PC-130	Pad housing	\$64.95
PC-15	Bearing	\$25.40	PC-131	Snap-ring	\$3.65
PC-16	Needle bearing	\$22.10	PC-132	Back-up pad	\$119.00
PC-19N	Bearing	\$94.40	PC-134	Washer	\$15.75
PC-21	Plastic bush	\$8.55	PC-135	Brush / skirt	\$83.80
PC-35	Idler gear assembly	\$108.80	PC-136	Nut	\$16.70
PC-38	Spindle gear assembly	\$137.45	PC-137	Reliever	\$3.65
PC-39	Spindle	\$65.55	PC-138	Dust plug	\$5.20
PC-52	Motor housing	\$55.50	PC-139	Screw	\$2.45
PC-52A	Housing set	\$83.80	PC-141	Screw	\$3.65
PC-59	Vacuum adaptor housing set	\$29.25	PC-142	Screw	\$3.60
PC-67	Intermediate plate	\$92.25	PC-143	Lead	\$15.90
PC-99	Snap-ring	\$3.65	PC-144	O-ring	\$2.80
PC-100	Main tube 230V	\$222.95	PC-145	Seal	\$9.55
PC-101	Foam seal	\$6.55	PC-146	Drive shaft	\$90.85
PC-102	Screw	\$2.45	PC-149	Baffle	\$2.65
PC-103	Washer	\$2.45	PC-151	Screw	\$2.45
PC-104	Washer	\$2.45	PC-153	Spring	\$3.65
PC-105	Slinger	\$2.80	PC-154	Insulator	\$6.40
PC-106	Gasket	\$3.65	PC-155	Push-nut	\$3.65
PC-107	Screw	\$2.45	PC-156	Screw	\$2.45
PC-108	Brush insulator	\$3.65	PC-157	Pivot plate	\$58.65
PC-109	Cord clamp	\$2.80	PC-158	Screw	\$2.45
PC-110	Bearing mount	\$3.65	PC-159	Wire connector 230V	\$2.45
PC-111	Hose clamp nut	\$16.65	PC-160	Lock washer	\$2.45
PC-112	Clamp ring	\$8.20	PC-162	Filter	\$192.85
PC-113	Guide tube	\$20.50	PC-163	Screw	\$8.20
PC-114	Support tube	\$78.45	PC-164	Tube insulator	\$22.30
PC-115	Support arm left	\$52.70	PC-167	Vacuum hose assembly inc. 173 & 174	\$196.00
PC-116	Support arm right	\$52.70	PC-173	Hose adaptor	\$28.00
PC-117	Nylon bushing	\$8.55	PC-174	Hose connector	\$34.80
PC-118	Casing	\$205.70	PC-175	Motor assembly complete	\$318.35
PC-119	Tube clamp plate	\$20.00	PC-PINS	Guide pins set (PC-125 x 3, PC-126 x 1)	\$47.50
PC-120	Tube support housing	\$36.55	VFP-225	Hook & Loop Foam Adaptor (PC-7800)	\$32.55
PC-121	Hose clamp	\$16.65			





# WALLPRO COLLATED SCREWGUN 18V LI-ION CSG-4002L

Spare Parts Diagram



## WALLPRO COLLATED SCREWGUN SPARE PARTS

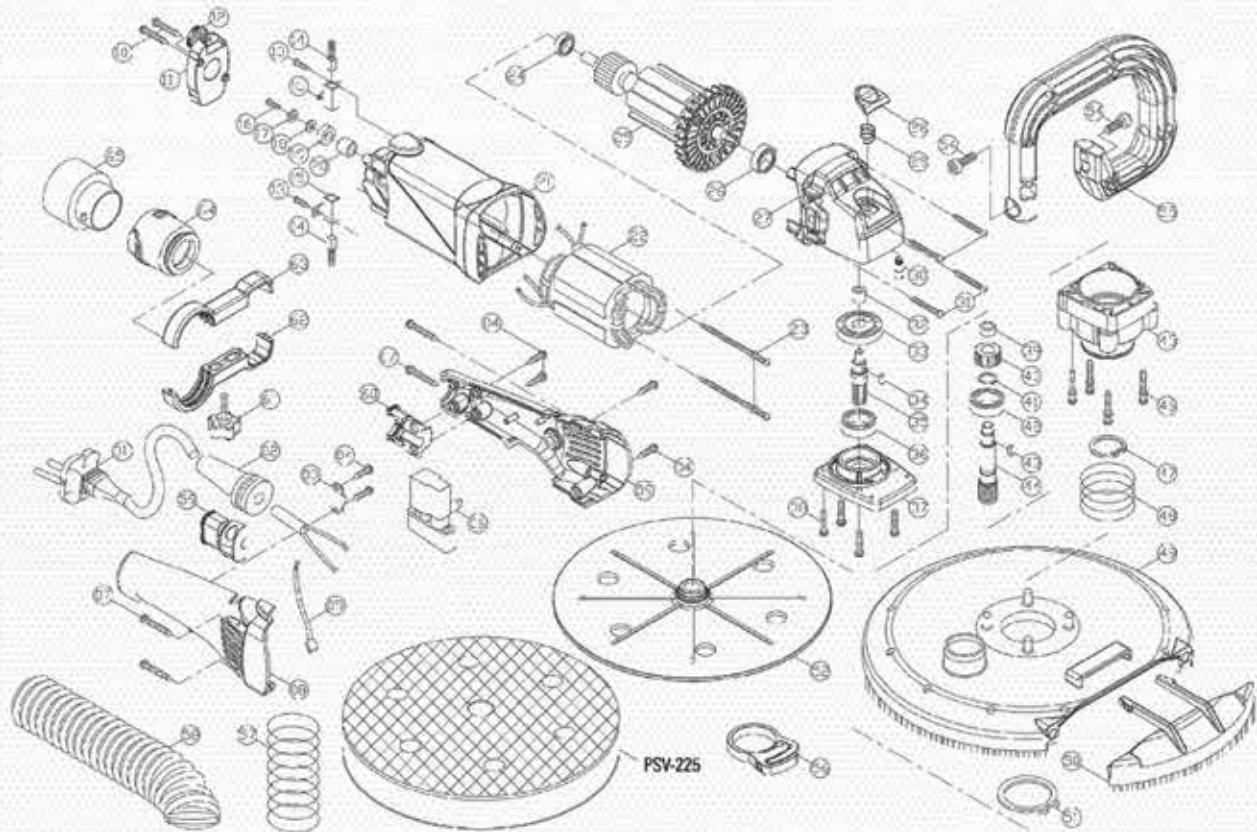
Code	Part Description	\$ ea Exc	Code	Part Description	\$ ea Exc
CSG4-1	Conduction assembly	\$214.55	CSG2-23	Screw	\$0.33
CSG2-5	Clutch "B"	\$8.35	CSG2-24	Washer	\$0.33
CSG2-6	Spring	\$0.33	CSG4-18	Side handle assembly	\$16.75
CSG2-7	Gear box assembly	\$40.45	CSG4-19	Belt hook	\$3.00
CSG4-7	Motor assembly	\$64.55	CSG4-20	Belt hook screw	\$0.11
CSG4-8	Complete main housing	\$20.90	CSG4-21	Front cover assembly	\$49.60
CSG4-9	Housing screw	\$0.22	WLB-18V	Battery pack 18V Li-Ion	\$255.70
CSG4-10	Forward/Reverse switch	\$0.92	WLC-UNI	Battery charger	\$100.65
CSG4-11	Main switch	\$37.05	WLC-CORD	Power cord	\$11.35
CSG4-12	Discharge protector	\$41.85	IB.150.2	Bit tip 154mm 4pkt for Wallpro Screwguns	\$20.20
CSG4-13	Housing back cover	\$4.20			
CSG4-14	Screw	\$0.11			

\*Use only genuine Wallpro parts on Wallpro brand power tools. Using other brand parts on Wallpro tools may affect the operation of the product and void warranty. Repairs undertaken by parties other than a registered repair centre may void the product warranty. Please contact Wallboard Tools Customer Service to locate your nearest repair centre.



# WALLPRO POWER HAND SANDER PHS-1200

Spare Parts Diagram



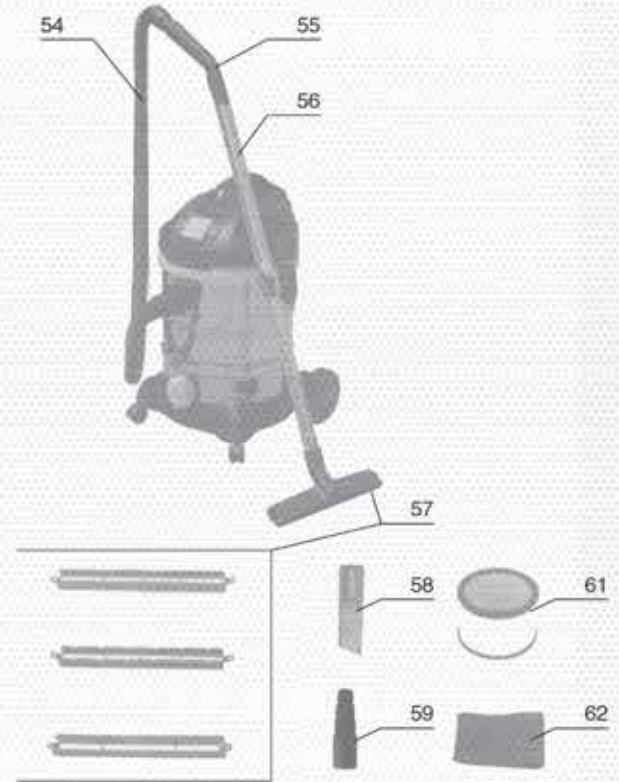
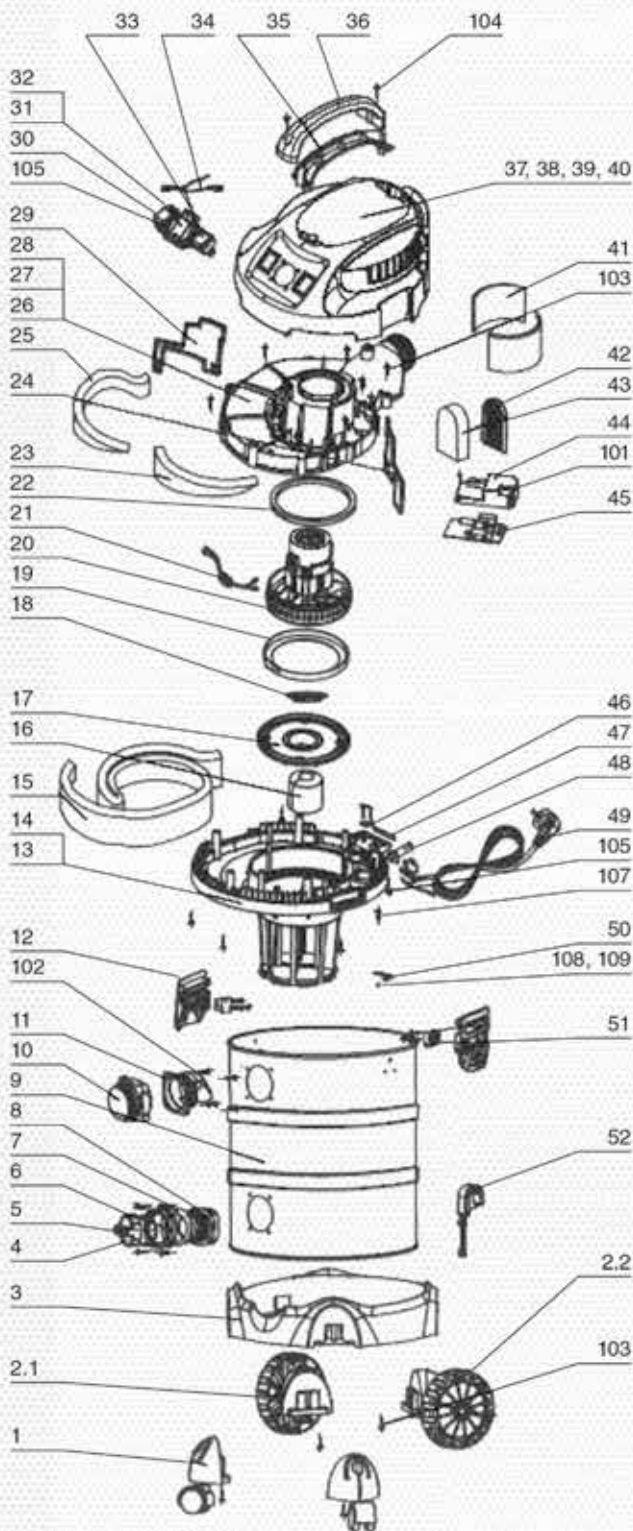
## WALLPRO POWER HAND SANDER SPARE PARTS

Code	Description	\$ ea Exc	Code	Description	\$ ea Exc
PHS-1	Power supply cable 3m	\$25.10	PHS-34	Parallel key 4x4x8	\$1.79
PHS-2	Cord armour	\$2.88	PHS-35	Input gear shaft	\$27.98
PHS-3	Cable clip	\$0.22	PHS-36	Ball bearing	\$16.14
PHS-4	Screw M4x14	\$0.22	PHS-37	Gear plate	\$28.69
PHS-5	Wire lead	\$1.30	PHS-38	Screw M4x16	\$0.22
PHS-6	Switch	\$25.10	PHS-39	Bushing 8x12x6	\$1.09
PHS-7	Screw M4x25	\$0.22	PHS-40	Spindle gear	\$23.69
PHS-8	Right handle cover	\$8.26	PHS-41	External circlip	\$0.49
PHS-9	Left handle cover	\$8.26	PHS-42	Ball bearing	\$21.51
PHS-10	Screw M4x20	\$0.22	PHS-43	Parallel key	\$1.68
PHS-11	Electronics unit	\$154.18	PHS-44	Spindle	\$21.89
PHS-12	Thumb wheel	\$1.09	PHS-45	Gear cover	\$36.56
PHS-13	Brush screw M4x8	\$1.09	PHS-46	Screw M4x25	\$0.22
PHS-14	Carbon brush	\$4.67	PHS-47	Internal circlip	\$0.98
PHS-15	Carbon brush holder	\$5.22	PHS-48	Spring 40L	\$2.60
PHS-16	Screw M4x8	\$0.11	PHS-49	Sanding plate cover	\$39.44
PHS-17	Flat washer M4	\$0.11	PHS-50	Half moon door	\$11.46
PHS-18	Plastic washer	\$0.33	PHS-51	External circlip	\$2.17
PHS-19	Pickup magnet	\$2.17	PS-69	Sanding plate base	\$35.79
PHS-20	Spacer	\$2.17	PHS-54	Socket cap screw M8x16	\$1.09
PHS-21	Motor housing	\$20.10	PHS-55	Bail handle	\$22.93
PHS-22	Stator	\$69.43	PHS-56	Plastic hose clip	\$2.40
PHS-23	Stator screw M4x60	\$0.98	PHS-57	Spring 363L	\$5.76
PHS-24	Ball bearing	\$11.35	PHS-58	Vacuum hose	\$20.10
PHS-25	Armature	\$142.94	PHS-59	Clamp piece right	\$2.77
PHS-26	Ball bearing	\$21.51	PHS-60	Clamp piece left	\$2.77
PHS-27	Gear case	\$116.15	PHS-61	Thumb knob	\$1.90
PHS-28	Spindle lock button	\$1.41	PHS-62	Hose bracket lower	\$3.59
PHS-29	Spring 13.5L	\$0.38	PHS-63	Hose bracket upper	\$3.59
PHS-30	Spindle lock	\$2.88	PHS-64	Bayonet swivel connector	\$4.50
PHS-31	Screw M4x30	\$0.22	PHS-65	Hose bayonet connector	\$4.56
PHS-32	Bushing 6x10x8	\$1.09	PSV-225	Power Sander double sided Hook & Loop foam pad	\$28.80
PHS-33	Bevel gear M1.0	\$68.83			



## WALLPRO POWER VACUUM DE-30L

Spare Parts Diagram



**CARBON BRUSH  
DE-30L-53**



**CLOTH DUST BAG  
DE-30L-60**



**PAPER DUST BAG  
DE-36-423**





■ WALLPRO POWER VACUUM SPARE PARTS

Code	Description	\$ ea Exc	Code	Description	\$ ea Exc
DE-30L-1	Metal castor	\$11.70	DE-30L-36	Upper handle	\$4.95
DE-30L-2-1	Big wheel right	\$18.55	DE-30L-37	Upper cover	\$33.80
DE-30L-2-2	Big wheel left	\$18.55	DE-30L-38	Anti-noise foam	\$1.60
DE-30L-3	Tank/drum base	\$50.75	DE-30L-41	Anti-noise foam	\$1.60
DE-30L-4	Waterspout cover	\$4.95	DE-30L-42	Protection web	\$3.25
DE-30L-5	Seal ring	\$1.60	DE-30L-43	Sponge	\$3.25
DE-30L-6	Waterspout	\$1.60	DE-30L-44	Waterproof cover	\$3.25
DE-30L-7	Drain inlet sponge loop	\$1.60	DE-30L-45	PCB	\$68.60
DE-30L-8	Waterspout seat	\$1.60	DE-30L-46	Cord clamp	\$1.60
DE-30L-9	Tank/Drum 30L steel	\$152.55	DE-30L-48	Sleeve	\$1.60
DE-30L-10	Suction seat	\$2.45	DE-30L-49	Cable	\$68.65
DE-30L-11	Suction press board	\$2.45	DE-30L-50	Connector	\$1.60
DE-30L-12	Metal clips	\$11.75	DE-30L-51	Power cable and clip seat	\$1.60
DE-30L-13	Lower cover	\$5.75	DE-30L-52	Cord hook	\$3.25
DE-30L-14	Sponge loop	\$4.95	DE-30L-53	Carbon brush	\$32.90
DE-30L-15	Anti-noise Foam	\$3.25	DE-30L-54	Suction	\$58.50
DE-30L-16	Floater cup	\$2.77	DE-30L-55	Air adjustable elbow	\$9.35
DE-30L-17	Tray	\$8.37	DE-30L-56	Telescopic tube	\$58.50
DE-30L-18	Plastic fence	\$2.45	DE-30L-57	Brush nozzle set	\$30.25
DE-30L-19	Seal ring	\$1.60	DE-30L-58	Crevice tool	\$8.90
DE-30L-20	Motor	\$254.45	DE-30L-59	Hose adaptor	\$9.85
DE-30L-21	Inductor	\$8.00	DE-30L-60	Fabric dust bag	\$42.95
DE-30L-22	Seal Ring	\$1.60	DE-30L-61	Paper filter cartridge	\$41.85
DE-30L-23	Anti-noise foam	\$1.60	DE-30L-62	Foam filter	\$32.85
DE-30L-24	Air block board	\$3.25	DE-30L-101	Screw ST2.9x12	\$1.60
DE-30L-25	Anti-noise foam	\$1.60	DE-30L-102	Screw ST4.2x14	\$2.45
DE-30L-28	Air/outlet, damping bar, seal	\$45.65	DE-30L-103	Screw ST4.2x16	\$4.95
DE-30L-29	Air block board	\$1.60	DE-30L-104	Screw ST4.2x16	\$1.60
DE-30L-30	Switch	\$78.35	DE-30L-105	Screw ST4.2x14	\$2.45
DE-30L-31	Synchro socket	\$16.85	DE-30L-106	Screw ST3.9x8	\$3.25
DE-30L-32	Socket press board	\$1.40	DE-30L-107	Screw M4x10	\$0.70
DE-30L-33	Switch	\$8.35	DE-30L-108	Nut M4	\$1.60
DE-30L-34	Lead	\$3.25	DE-36-423	Paper Vacuum Bag	\$8.15
DE-30L-35	Lower handle	\$4.95			



■ Automatically switches on and shuts off with Power Sander

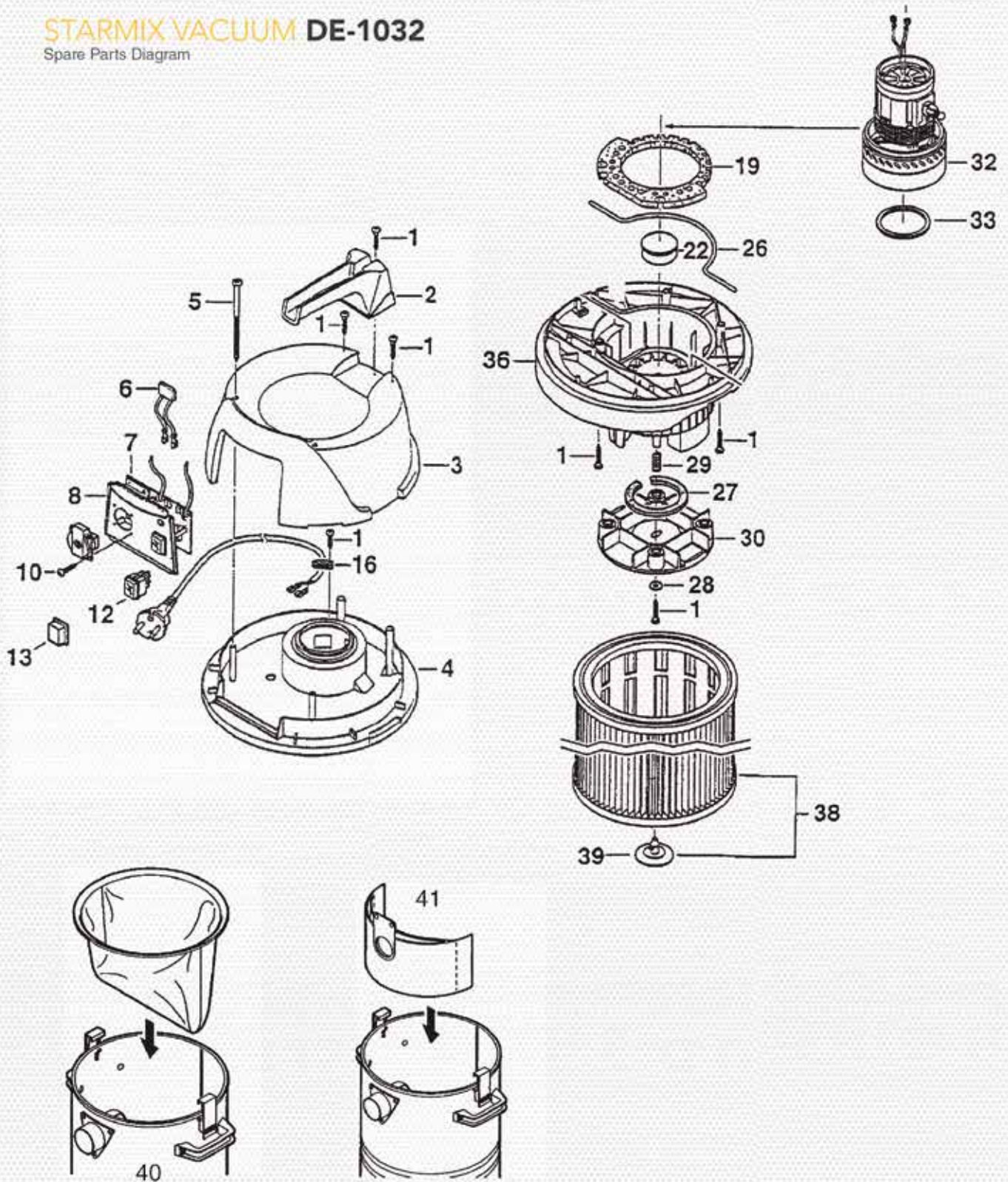


■ Includes reusable cloth bag



**STARMIX VACUUM DE-1032**

Spare Parts Diagram





### 57 - Floor Tool Kit



### STARMIX VACUUM MOTOR HEAD ASSEMBLY SPARE PARTS

Code	Description	\$ ea Exc	Code	Description	\$ ea Exc
DE-1032-1	Screw	\$2.30	DE-1032-29	Pressure spring	\$2.60
DE-1032-2	Handle	\$29.30	DE-1032-30	Vibrator / Adaptor Plate	\$25.75
DE-1032-3	Hood	\$58.15	DE-1032-32	Motor Starmix 230V 1200W	\$276.25
DE-1032-4	Upper housing	\$51.25	DE-1032-33	Seal	\$8.55
DE-1032-5	Oval head screw	\$3.65	DE-1032-36	Lower housing	\$99.05
DE-1032-6	Capacitor	\$10.05	DE-1032-38	Pleated filter	\$190.50
DE-1032-7	Electronic board	\$142.20	DE-1032-39	Bayonet fixing	\$6.20
DE-1032-8	Control Panel inc socket (NZ/AUS)	\$25.90	DE-1032-40	Pre-filter Sac-cloth	\$156.10
DE-1032-10	Taping screw with countersunk head	\$2.30	DE-1032-41	Paper dust bag	\$15.70
DE-1032-12	On/off push-button switch	\$29.30	DE-1032-42	Carbon brushes	\$50.85
DE-1032-13	Cover for switch	\$5.55	DE-1032-51	Flexible suction hose 3.2m	\$79.80
DE-1032-16	Strain relief clamp	\$1.80	DE-1032-52	Tube handle	\$21.00
DE-1032-19	Silencer	\$20.80	DE-1032-53	Suction tube	\$19.10
DE-1032-22	Float	\$8.75	DE-1032-54	Crevice nozzle	\$10.05
DE-1032-26	Rubber part	\$8.35	DE-1032-55	Rubber nozzle	\$13.80
DE-1032-27	Motor protection filter	\$2.85	DE-1032-56	Floor tool	\$38.20
DE-1032-28	Washer	\$2.30	DE-1032-57	Floor tools kit	\$106.80

SOLD SEPARATELY

### STARMIX VACUUM PLASTIC CANISTER SPARE PARTS

Code	Description	\$ ea Exc
DE-1032-61	Locking device	\$8.15
DE-1032-62	Wheel	\$30.10
DE-1032-63	Complete canister assembly 32L (parts 61, 62 and 67)	\$234.45
DE-1032-64	Tube holder	\$23.05
DE-1032-65	Screw	\$2.30
DE-1032-67	Castor	\$11.25
DE-1032-70	Washer	\$2.30

