



FAST, FLEXIBLE SANDING POWER SANDER



FLEXIBLE HEAD MOVEMENT
quick switch from wall
to ceiling



**SOLID HOOK & LOOP
FOAM ADAPTOR**
for uniform sanding



CUSHIONED GRIP
to reduce fatigue



SOFT START MOTOR
for easier control

The Wallpro Power Sander is a heavy duty plasterboard sander designed with the professional in mind. It has great balance and comfortable grips and when operated in conjunction with a heavy duty dust extractor will deliver a virtually dust free sanding environment.

Code	PS-1000
Barcode	9315778997690
Description	Wallpro Power Sander
Size	310x160mm
Weight (tool only)	8.0kg



Full Movement
Swivel Head



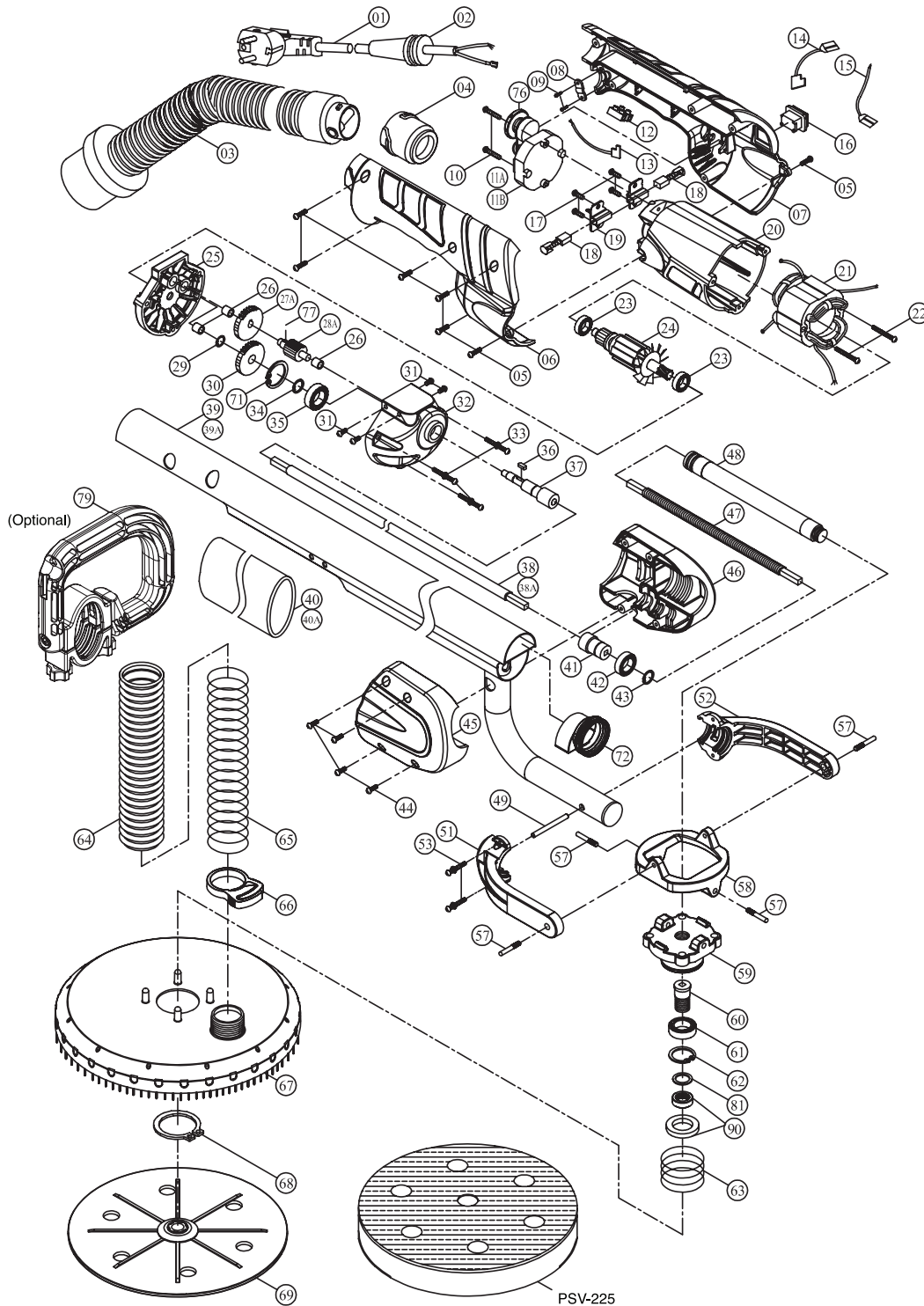
Variable Speed
650-1600 RPM



Soft Start Motor



225mm Sanding
Disc Diameter



No	Parts Name
PS-3	Vacuum extension hose with connector
PS-4	Hose connector female
PS-5	Screw M4x16
PS-6	Handle cover right
PS-7	Handle cover left
PS-8	Cable clip
PS-9	Screw M4x14
PS-10	Screw M4x25
PS-11	Speed control unit
PS-12	Wire connector
PS-13	Wire leader
PS-14	Wire leader (red wire)
PS-15	Wire leader (black wire)
PS-16	Motor Switch (JEC)
PS-16A	Motor switch wallpro (TRANSMIT)
PS-17	Screw M4x10
PS-18	Carbon brush 2pkt
PS-19	Carbon brush holder (1 hole) 1pc
PS-19A	Carbon brush holder (2 holes) 1pc
PS-20	Motor housing
PS-20A	Motor housing (2 holes)
PS-21	Stator
PS-22	Stator screw M4x50
PS-23	Ball bearing
PS-25	Gear plate
PS-26	Bushing
PS-27	Intermediate gear
PS-28	Intermediate gear pinion
PS-29	Bushing
PS-30	Output gear
PS-31	Screw M5x10
PS-32	Gear case
PS-33	Screw with washer M4x30
PS-34	Internal circlip S-10
PS-35	Ball bearing
PS-36	Woodruff key 3x10
PS-37	Spindle
PS-38A	Drive shaft 704mm
PS-41	Shaft connector socket
PS-42	Ball bearing for shaft
PS-43	Internal circlip S-12
PS-44	Screw M4x20
PS-45	Drive cover right
PS-46	Drive cover left
PS-47	Drive cable inner
PS-48	Drive Shaft cover
PS-49	Holding pin 5x30
PS-51	Fork right
PS-52	Fork left
PS-53	Screw M4x8
PS-57	Screw M5
PS-58	Pivot frame
PS-59	Pivot connecting bracket
PS-60	Connecting spindle
PS-61	Ball bearing for head
PS-62	External circlip R-32
PS-63	Spring
PS-64	Vacuum hose
PS-65	Spring
PS-66	Plastic clip
PS-67	Sanding plate cover
PS-68	Internal circlip S-40
PS-69	Sanding plate base
PSV-225	Power Sander double sided velcro foam pad