

THE MARRON CONSULTANCY

ABN 96 276 451 253
4/168 Beecroft Road, Cheltenham, NSW 2119
Phone/Fax +61 2 9868 5351 — Mobile 0408 335 558
Email: crawd@bigpond.net.au

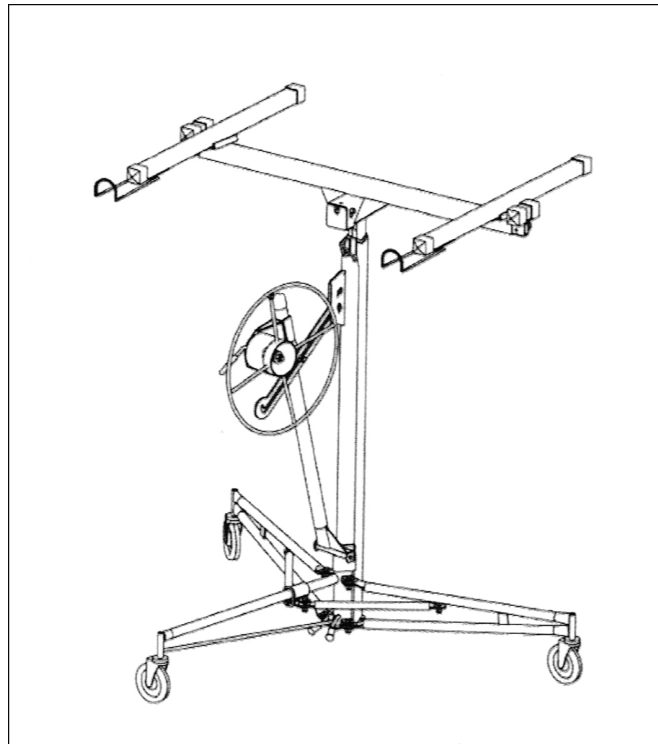
CERTIFICATE

Date: 12 June 2012

Client: Wallboard Tool Company Pty Ltd
30 Leda Drive
West Burleigh, QLD 4219

Attention: Mr Jim Swain, Sales Manager

Project: Plasterboard Sheet Lifter



I certify that the Sheet Lifter illustrated above has been tested to confirm the published working load of 68 kg at the standard maximum height of 3.35 m and the extended maximum height of 4.55 m.

Testing was carried out by Mahaffey Associates Pty Ltd, Unit 9/108 Percival Road, Smithfield, NSW 2164 — Job Number 10214 — Test Report date: 30/05/2012.

Certified by:

D. W. Crawford BE (UNSW), ASTC