



PLASTERBOARD CART

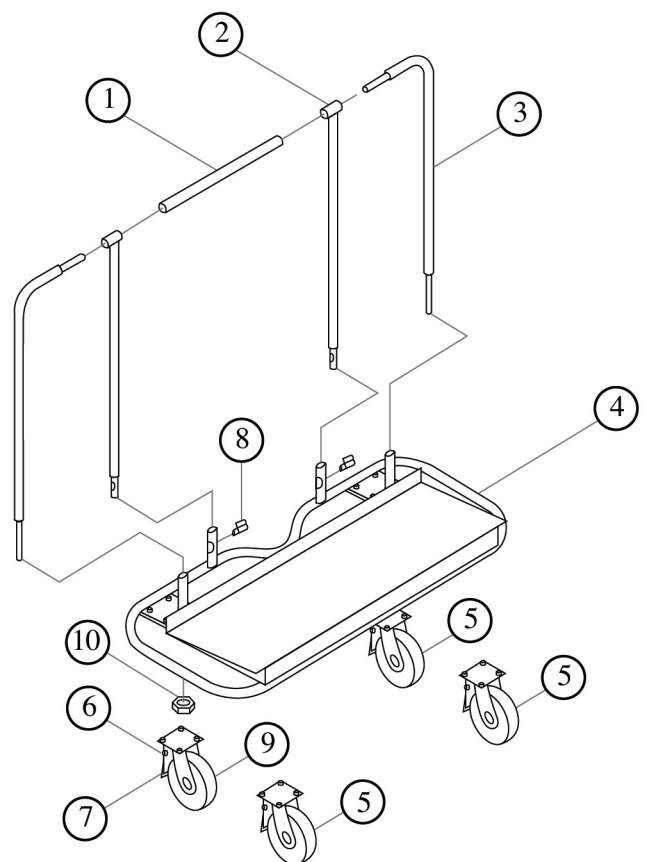
MODEL: DC-1350

The Wallboard Tools Plasterboard Trolley speeds up the movement of sheeting on site. It is designed to move quantities of sheeting, paneling, plywood and other construction materials while reducing the incidence of physical strain.

Features:

- Sturdy tubular design with welded steel construction
- Three swivel and one locking castor manufactured from high quality polyurethane
- Deck size 1120mm (w) x 290mm (d)
- Dismantles to fit in the boot of most cars
- Reduces the chance of physical strain
- Carries materials up to 1350mm (h) x 3600 (w)
- Designed to carry loads up to 1350kgs

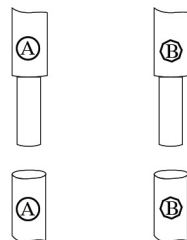
No	Description	Qty
①	Support Tube	1
②	"T" Handle	2
③	"L" handle	2
④	Deck	1
⑤	Swivel Castor (DC-1350-PSC)	3
⑥	Split Washer	16
⑦	M10 Bolt	16
⑧	Lock Pin	2
⑨	Locking Castor (DC-1350-PLC)	1
⑩	Nut	2



Important Note

match letters for quick and easy installation:

Example:
Match letters as in drawing on the right



Assembly Instructions:

1. Fit the castors to the deck using the washers ⑥ and M10 bolts ⑦
2. Attach "T" handle ② to "L" handle ③ and then the support tube ①
3. Slide "T" handle and "L" handle assembly into the tubes on the deck at the same time
4. Fasten with nut ⑩ onto the "L" handle
5. Insert locking pins ⑧
6. Tighten all fasteners and ensure the Locking Castor ⑨ is in the "locked" position

- Use on unobstructed, hard and level surfaces
- Push cart from end of sheets
- Keep lockable castor locked
- 2 person push when fully loaded
- Do not load sheets longer than 3.6m
- Do not stand beside sheets



Supplied by Wallboard Tool Co Pty Ltd

Ph: 1300 653 177

Fx: 1300 657 442

E: sales@wallboardtools.com.au

www.wallboardtools.com.au