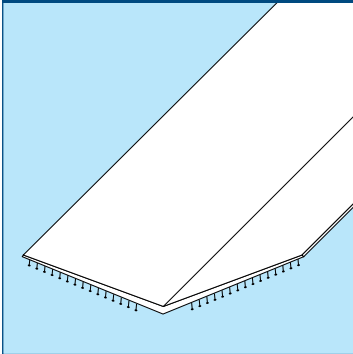
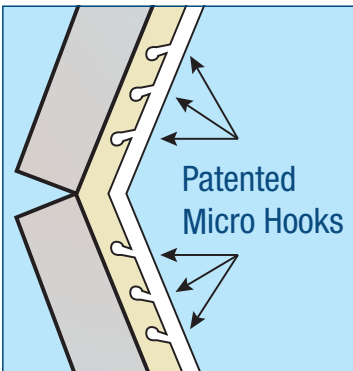


### ANGLE MASTER

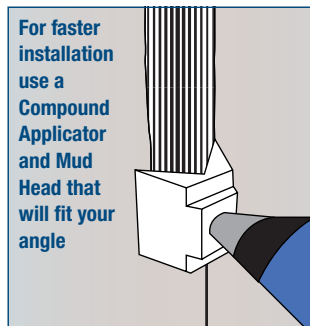
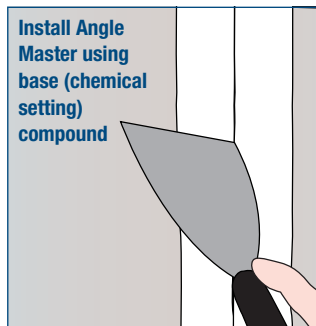
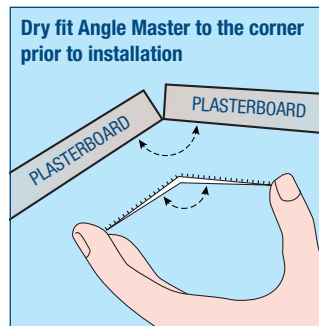


**72-MS325**  
Angle Master 82mm x 30.5m  
Corner Tape



### INSTALLATION

- Ensure the substrate is true and plumb
- Measure and cut Angle Master tape to length
- Pre-fold Angle Master to match the corner where it will be installed - ensure the Micro Hooks are facing the plasterboard
- Mitre the corners of Angle Master for intersections - do not overlap legs as it may cause uneven surfaces  
Tip: If installing on a long run use a chalk line to achieve a straight line
- Apply a layer of base compound onto the corner using a trowel, joint knife or Compound Applicator Tube and Mud Head. Ensure there is adequate coverage for optimum tape adhesion
- Place the pre-cut length of Angle Master onto the joint
- Press Angle Master firmly into place
- Clean any excess compound then allow to dry
- Set Angle Master along the edges with approved compounds (refer to standard ASTM-C475-02 (2007) or the Plasterboard Manufacturers recommendations)



### NOTES:

- This tape is for interior use only
- The incorrect installation of Trim-Tex beads & tapes will void any warranty (see Trim-Tex Product Warranty at [www.wallboardtools.com.au](http://www.wallboardtools.com.au))
- On vertical installations of Trim-Tex beads or tape allow 6mm minimum clearance above the floor for structural movement
- Angle Master is designed to be installed with base compound only. Do not install with spray adhesive, staples, nails or screws

**PRODUCT DATA SHEET**

